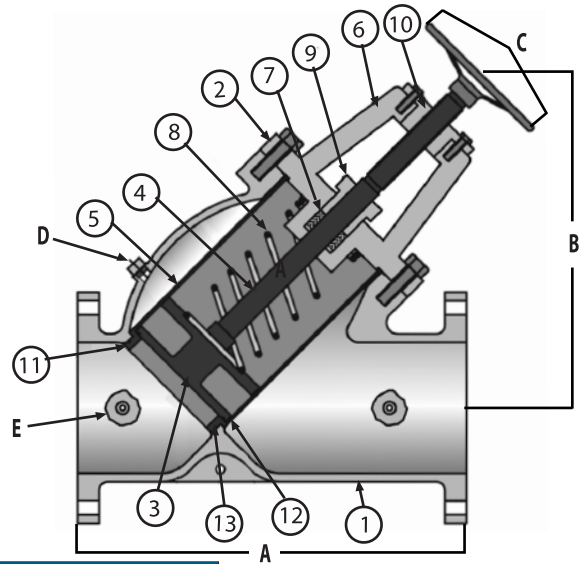


Globe Style Triple Duty Valves

- Available 2” through 18”
- 3 valves in one: Shut off valve-Check valve-Balance valve
- ANSI B16.10 Flat Face Flanges
- Spring assisted disc ensures quiet operation and prevents water hammer

ITEM	DESCRIPTION	SPECIFICATIONS
1	VALVE BODY	A126-B CAST IRON
2	COVER FLANGE	A126-B CAST IRON
3	VALVE DISC	A536 NICKLE PLATED*
4	VALVE STEM	TYPE 410 STAINLESS STEEL
5	VALVE SEAT GUIDE	A536 NICKLE PLATED DUCTILE IRON
6	FLANGE GLAND	A126-B CAST IRON
7	PACKING	NON-ASBESTOS
8	VALVE SPRING	300 SERIES STAINLESS STEEL
9	PACKING GLAND	A126-B CAST IRON
10	VALVE STEM GUIDE	A536 DUCTILE IRON
11	VALVE SEAT RING	A536 NICKLE PLATED DUCTILE IRON
12	VALVE SEAT SEAL	EPDM O-RING
13	VALVE DISC SEAT	EPDM O-RING

*Optional Material B62 Bronze



SIZE in/mm	A in/mm	B in/mm	C in/mm	D N.P.T. in/mm	E N.P.T. in/mm	Weight lb/kg
2	8.4	9.17	6.25	.50	1/4	33
50	213	233	159	15	8	15
2 1/2	9.88	9.65	6.25	.50	1/4	42
65	251	245	159	15	8	19
3	10.00	10.39	9.38	.50	1/4	59
80	254	264	238	15	8	27
4	14.50	13.31	9.38	.50	1/4	104
100	368	338	238	15	8	47
5	16.00	15.16	11.00	.50	1/4	170
125	406	385	279	15	8	77
6	18.00	16.89	11.00	.75	1/4	202
150	457	429	279	20	8	92
8	21.50	21.14	12.50	.75	1/4	280
200	546	537	317	20	8	127
10	25.50	25.24	12.50	1.00	1/4	422
250	648	641	317	25	8	191
12	30.00	27.09	12.50	1.00	1/4	816
300	762	688	317	25	8	370
14	30.38	29.6	12.50	1.00	1/4	1112
350	772	753	317	25	8	504
16	37	42.8	12.50	1.00	1/4	1478
400	936	10.87	317	25	8	670
18	41	46.2	15.88	1.00	1/4	1500
1450	1048	1174	406	25	8	680

MATERIAL	M.A.W.P. PSIG (BARS) TEMPERATURE
A126-B (Body)	200 (13.79) Sizes <= 12" 150 (10.34) Sizes >= 14"
EPDM Seat & Seal Material	250° F 121°C

NOTE: B Dimensions are given in full open position.

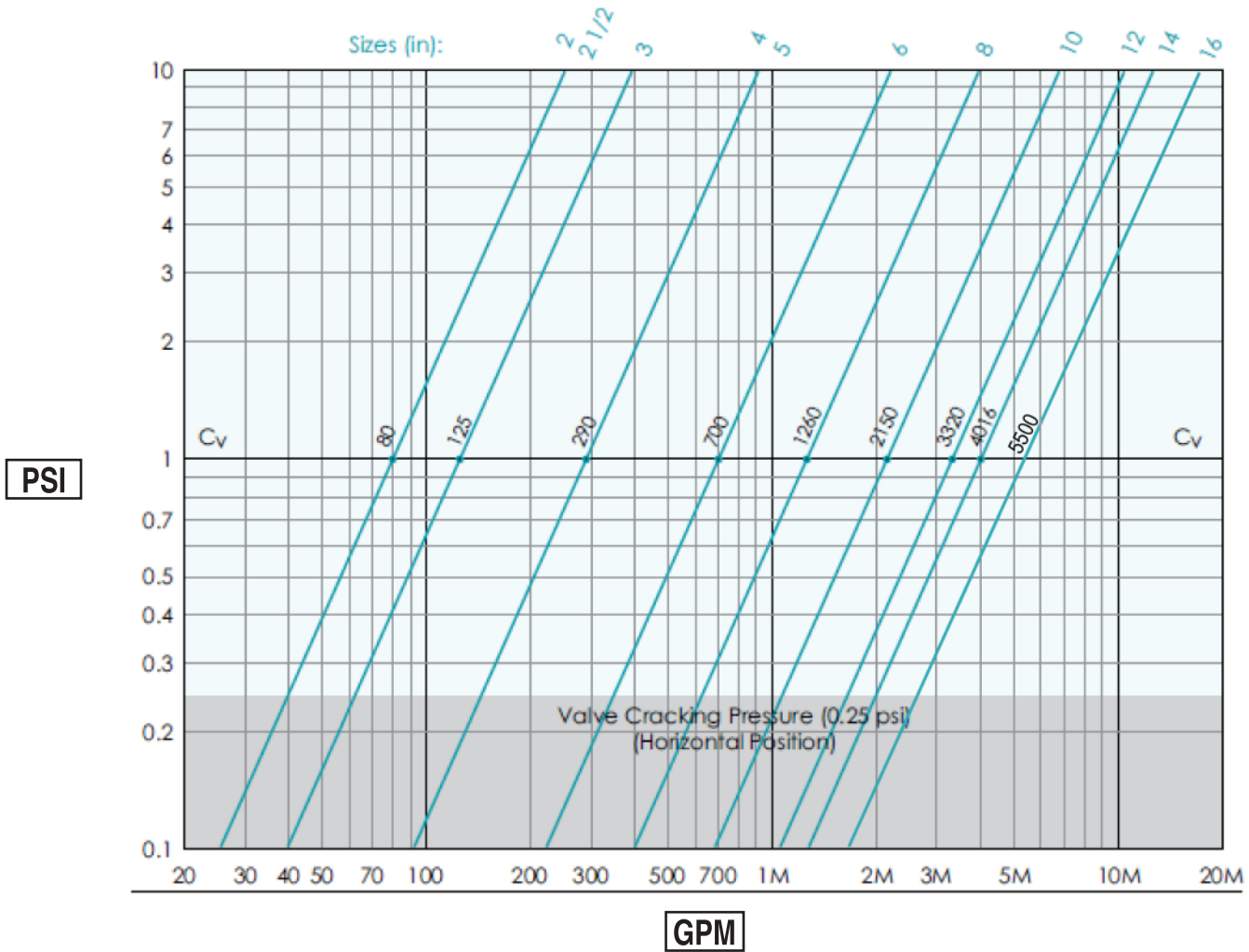
Valve must be installed with stem/handle in the upward position.

Dimensions are subject to change without notice, please confirm actual dimensions with factory at time of order

JOB NAME _____
 LOCATION _____

 CONTRACTOR _____
 CONTRACTOR P.O. NO. _____

ITEMS	QUANTITY
_____	_____
_____	_____
_____	_____
_____	_____
_____	_____



JOB NAME _____
 LOCATION _____

 CONTRACTOR _____
 CONTRACTOR P.O. NO. _____

ITEMS	QUANTITY
_____	_____
_____	_____
_____	_____
_____	_____
_____	_____



1005 E. Houston
 Broken Arrow, OK 74012
 Toll Free: 866-204-5229
 PH: 918-317-0401
 FAX: 918-317-0407
 www.wheatleyhvac.com
 e-mail: sales@globalflowproducts.com