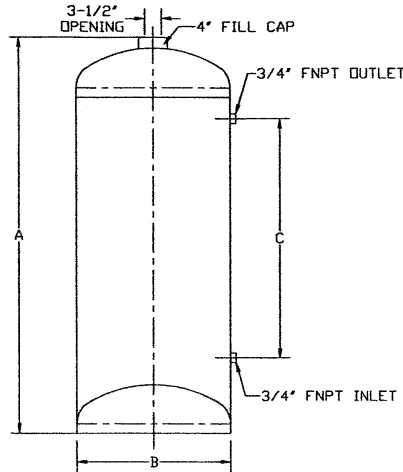


CHEMICAL BY-PASS FEEDERS



TWO FITTINGS STYLE

PART NUMBER	VOLUME	A(IN.)	B(IN.)	C(IN.)	WEIGHT	HEAD GAGE	SHELL GAGE
BFT-002-O	2 GAL.	21-1/4	6	12-3/4	23	11	11
BFT-005-O	5 GAL.	19-3/4	10	10-1/2	37	9	10
BFT-010-O	10 GAL.	35-3/4	10	26-1/2	60	9	10
BFT-012-O	12 GAL.	42	10	32-3/4	68	9	10

Optional Filter Bag Kit must be ordered separately.

USE: For water treatment in closed circulating water systems and boilers.

Great for use with chilled water treatment such as cooling systems and hot water treatment in heating systems.

Helps prolong life of heating and cooling systems.

SPECIFICATIONS:

Carbon Steel Construction

Self Supported Bottom

Coarse Thread with 2 1/2 Turn Design

CAST IRON BODY AND COVER

Working Pressure rated at 300 P.S.I.

Caps are Easy Quick Opening

Bottom of Cap is Epoxy Coated for Liquid

FBK-2 Fits BFT-002

FBK-005 Fits BFT-005

FBK-010 Fits BFT-020 & 012



Dimensions are subject to change without notice, please confirm actual dimensions with factory at time of order.

JOB NAME _____
LOCATION _____

CONTRACTOR _____
CONTRACTOR P.O. NO. _____

ITEMS	QUANTITY
_____	_____
_____	_____
_____	_____
_____	_____
_____	_____



1005 E. Houston
Broken Arrow, OK 74012
Toll Free: 866-204-5229
PH: 918-317-0401
FAX: 918-317-0407
www.wheatleyhvac.com
e-mail: sales@globalflowproducts.com