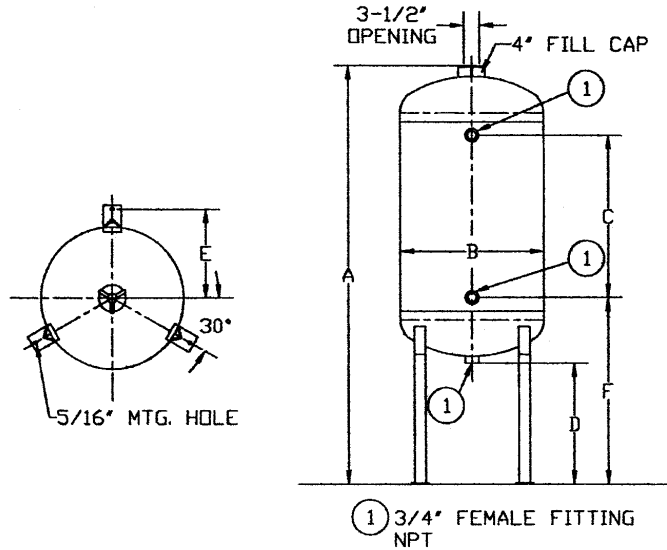


# CHEMICAL BY-PASS FEEDERS



## DISHED BOTTOM OUT-STYLE

PART NUMBER	VOLUME	A(IN.)	B(IN.)	C(IN.)	D(IN.)	E(IN.)	WEIGHT	HEAD GAGE	SHELL GAGE
VFT-002-0	2 GAL.	31-1/4	6	12-3/4	8-5/8	4-1/8	23	11	11
VFT-002-F	2 GAL.	31-1/4	6	12-3/4	8-5/8	4-1/8	23	11	11
VFT-005-0	5 GAL.	29-3/4	10	10-1/2	8	6-1/8	38	9	10
VFT-005-F	5 GAL.	29-3/4	10	10-1/2	8	6-1/8	38	9	10

**PART# SUFFIX: F=Optional Filter Can be Installed**  
**Cap is Cast Iron with Buna N Ring Wide Mouth**

**USE:** For water treatment in closed circulating water systems and boilers. Great for use with chilled water treatment such as cooling systems and hot water treatment in heating systems. Helps prolong life of heating and cooling systems.

### SPECIFICATIONS:

Carbon Steel Construction  
Self Supported Bottom  
Coarse Thread with 2 1/2 Turn Design

Working Pressure rated at 300 P.S.I.  
Caps are Easy Quick Opening  
Bottom of Cap is Epoxy Coated for Liquid

### CARTRIDGE FILTER

PART NUMBER	DESCRIPTION
FC-005	5 MICRON PLEATED FILTER
FC-020	20 MICRON PLEATED FILTER

**MODELS BFT-F AND VFT-F  
INCLUDE BUILT IN SUPPORT  
FOR FILTER ASSEMBLY.**

**FILTER  
ASSEMBLY**

Dimensions are subject to change without notice, please confirm actual dimensions with factory at time of order.



JOB NAME \_\_\_\_\_  
LOCATION \_\_\_\_\_  
\_\_\_\_\_  
\_\_\_\_\_  
CONTRACTOR \_\_\_\_\_  
CONTRACTOR P.O. NO. \_\_\_\_\_

ITEMS	QUANTITY
_____	_____
_____	_____
_____	_____
_____	_____
_____	_____
_____	_____