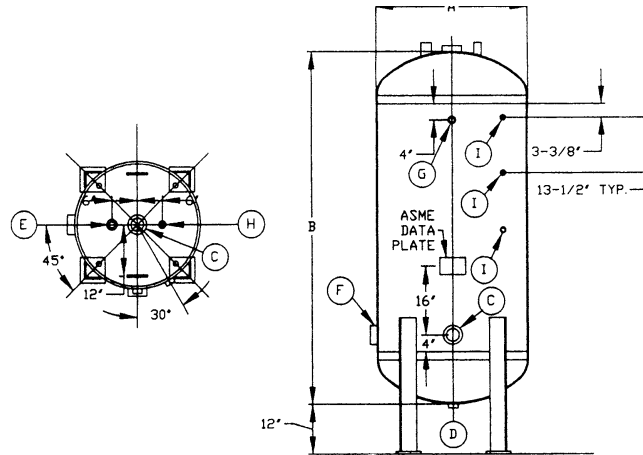


ASME GLASSLINED STORAGE TANK



STOCKED UNITS

| PART NUMBER | TANK VOLUME | WEIGHT LBS | WORKING PRESSURE |
|-------------|-------------|------------|------------------|
| GST-203 | 203 | 406 | 150 PSI |
| GST-339 | 339 | 653 | 150 PSI |
| GST-525 | 525 | 1029 | 150 PSI |

| PART NUMBER | DIAMETER A (IN.) | HEIGHT B (IN.) | INLET/OUTLET C (IN.) | DRAIN D (IN.) | R.V. E (IN.) | RECIR. F (IN.) | T.STAT G (IN.) | THERM. H (IN.) | ANODE I (IN.) |
|-------------|------------------|----------------|----------------------|---------------|--------------|----------------|----------------|----------------|---------------|
| GST-203 | 30 | 72 | 3 | 1 1/4 | 1 1/4 | 3 | 1 1/4 | 3/4 | 1 |
| GST-339 | 36 | 84 | 3 | 1 1/2 | 1 1/2 | 3 | 1 1/4 | 3/4 | 1 |
| GST-525 | 42 | 96 | 4 | 2 | 1 1/2 | 4 | 1 1/4 | 3/4 | 1 |

OPTIONS AVAILABLE:

- Saddles
- Pressure Gauges
- Relief Valves
- Insulation Jackets
- Thermometers

CONTACT US FOR PRICING

Note: These tanks can be used vertically or horizontally.

USE: Design for storage of domestic & non-domestic cold or hot water.

Baked on glasslining process on interior provides years of reliable service.

SPECIFICATION:

ASME Section IV, Stamped with Documentation

Working Pressure Rated at 150 P.S.I.

Primed & Painted Exterior

Includes Anodes

Dimensions are subject to change without notice, please confirm actual dimensions with factory at time of order.

Carbon Steel Construction

Maximum Temperature 210° F

Includes Four Legs

For Horizontal Application, Add Saddles

JOB NAME _____
 LOCATION _____

 CONTRACTOR _____
 CONTRACTOR P.O. NO. _____

| ITEMS | QUANTITY |
|-------|----------|
| _____ | _____ |
| _____ | _____ |
| _____ | _____ |
| _____ | _____ |
| _____ | _____ |



1005 E. Houston
 Broken Arrow, OK 74012
 Toll Free: 866-204-5229
 PH: 918-317-0401
 FAX: 918-317-0407
 www.wheatleyhvac.com
 e-mail: sales@globalflowproducts.com