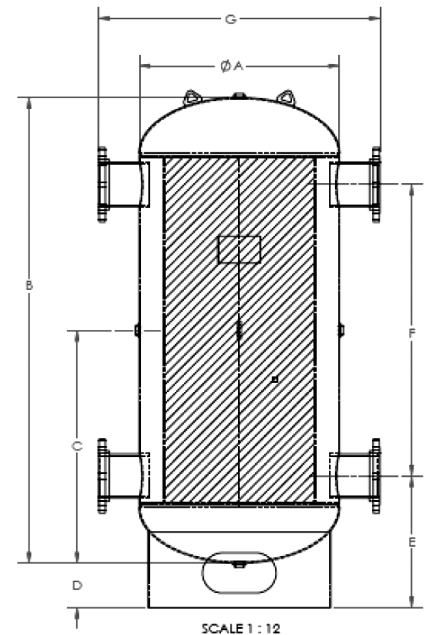


SERIES HSC COALESCING TYPE HYDRAULIC SEPARATOR

American Wheatley HSC Series Coalescing type hydraulic separators are designed to operate with modern high efficiency low-mass modular boiler systems. The American Wheatley HSC Series ensures minimal ΔT and provides the necessary thermal storage to prevent short cycling that could occur during low load conditions, along with the added benefit of a coalescing media for superior air and dirt separation.

- Prevents flow in one circuit from interfering with flow from another circuit
- Eliminates the need for a primary loop circulating pump, air separator, and strainer, thereby reducing initial cost as well as operating cost
- Eliminates complicated piping, reduces labor and piping costs
- High performance stainless steel ring type coalescing media
- Correctly installed hydraulic separation allows the use of multiple circulators to operate independently without interfering with each other
- Ideal for multiple load systems
- American Wheatley manufactures ASME hydraulic separators in standard sizes 40 gallon through 400 gallon with connections, 2" through 16:
- Custom sizes readily available



Typical Specifications

Furnish and install an American Wheatley HSC series, coalescing type vertical hydraulic separator as described on the drawings or schedule. Inlet and outlet connections shall be flanged unless otherwise noted. Unit shall be constructed of carbon steel and built in accordance with ASME Section VIII, Division 1, the nameplate manufacturer shall carry all applicable ASME certificates. Coalescing media must be stainless steel. Exterior shall be primer base coated.

MODEL NO.	SIZE	GALLON	AQ STAT	DRAIN	VENT	A	B	C	D	E	F	G	WT
HSC-40	2", 2.5", 3" 4"	40	3/4	3/4	3/4	14	58.75	29.38	6.60	14.75	42.38	26	200
HSC-120	2", 2.5", 3" 4"	120	3/4	3/4	3/4	24	65.25	32.63	6.60	18.53	41.38	36	440
HSC-200	2", 2.5", 3" 4"	200	3/4	3/4	3/4	30	69.31	34.63	6.60	19.56	43.38	42	630
HSC-300	2", 2.5", 3" 4"	300	3/4	3/4	3/4	36	73.63	36.82	6.60	21.75	43.38	48	730
HSC-400	2", 2.5", 3" 4"	400	3/4	3/4	3/4	36	96.63	48.31	6.60	21.75	66.38	48	800

JOB NAME _____
 LOCATION _____

 CONTRACTOR _____
 CONTRACTOR P.O. NO. _____

ITEMS	QUANTITY
_____	_____
_____	_____
_____	_____
_____	_____
_____	_____
_____	_____

American WHEATLEY
HVAC PRODUCTS®
A GFP COMPANY
1005 E. Houston
Broken Arrow, OK 74012
Toll Free: 866-204-5229
PH: 918-317-0401
FAX: 918-317-0407
www.wheatleyhvac.com
e-mail: sales@globalflowproducts.com