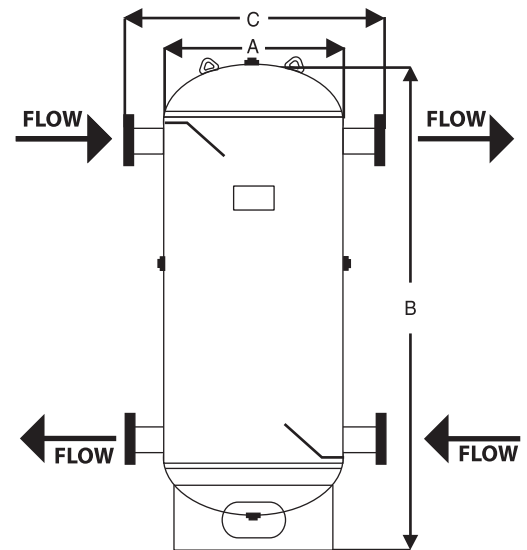


Hydraulic Hot Water Buffer Tank

Installation, Operation & Maintenance

- Wheatley buffer tanks are typically installed to ensure adequate water volume along with decoupling and mixing action necessary with today's primary secondary systems.
- All steel tanks manufactured by the American Wheatley HVAC Products are constructed in accordance with the best commercial practices.
- The ASME Boiler and Pressure Vessel Code, Section VIII, Division 1 (an American National Standard published by the American Society of Mechanical Engineers) provides rules for the construction of pressure vessels. This includes requirements for materials, design, fabrication, examination, inspection, and marking. All steel tanks constructed in accordance with all of the applicable rules of the Code are identified with the official Code Symbol Stamp on the vessel nameplate.
- All steel tanks that include the Code U stamp will also include a National Board Number and registration with the National Board of Boiler and Pressure Vessel Inspectors.
- **IMPORTANT:** The ASME Boiler and Pressure Vessel Code Section VIII, Div. 1 does not permit any field modification to the pressure vessel after the ASME inspection process is completed. Welding to pressure retaining parts will void the ASME certification.
- All steel tanks are designed for a specific design pressure. This design pressure is clearly marked on the nameplate as the MAWP (Maximum Allowable Working Pressure).
- **IMPORTANT:** It is the responsibility of the user to ensure that the required overpressure protection device is properly installed prior to initial operation.
- **IMPORTANT:** This product must be installed by a qualified professional. Failure to properly install and periodically inspection and service the vessel may result in serious or fatal personal injury and property damage.
- **IMPORTANT:** All steel tanks must be installed on level surfaces designed to support the total weight of the vessel filled to capacity. Certain states require a minimum clearance of 18" around the vessel (check local codes and requirements prior to installation).



Installation/Maintenance Instructions

- Check the vessel for signs of damage during shipping and handling. Report any damage for concerns to the factory.
- Follow safe handling procedures when transporting the tank. Use lifting lugs whenever possible (see figure).
- Following locally accepted codes and practices for proper mounting and installation.
- When installing a pressure relief device, verify that the device is set to operate at or below the MAWP of the vessel.
- **IMPORTANT:** Failure to properly align, support, and connect interconnected piping will result in leakage and potentially serious or fatal personal injury and property damage.
- Examine all connections for proper alignment. After start-up, use a leak detector solution to leak check all connections.
- **IMPORTANT:** Periodically check the interior and exterior of the tank for signs of leakage or corrosion.
- **IMPORTANT:** Prior to servicing the vessel, insulate it from the system, verify that the system water is at ambient temperature, and release the system pressure.
- Inspect all gaskets and gasket surfaces. Replace gaskets that show signs of wear or damage.

JOB NAME _____
LOCATION _____

CONTRACTOR _____
CONTRACTOR P.O. NO. _____

ITEMS	QUANTITY
_____	_____
_____	_____
_____	_____
_____	_____
_____	_____
_____	_____

American WHEATLEY
HVAC PRODUCTS®
A GFP COMPANY

1005 E. Houston
Broken Arrow, OK 74012
Toll Free: 866-204-5229
PH: 918-317-0401
FAX: 918-317-0407
www.wheatleyhvac.com
e-mail: sales@globalflowproducts.com