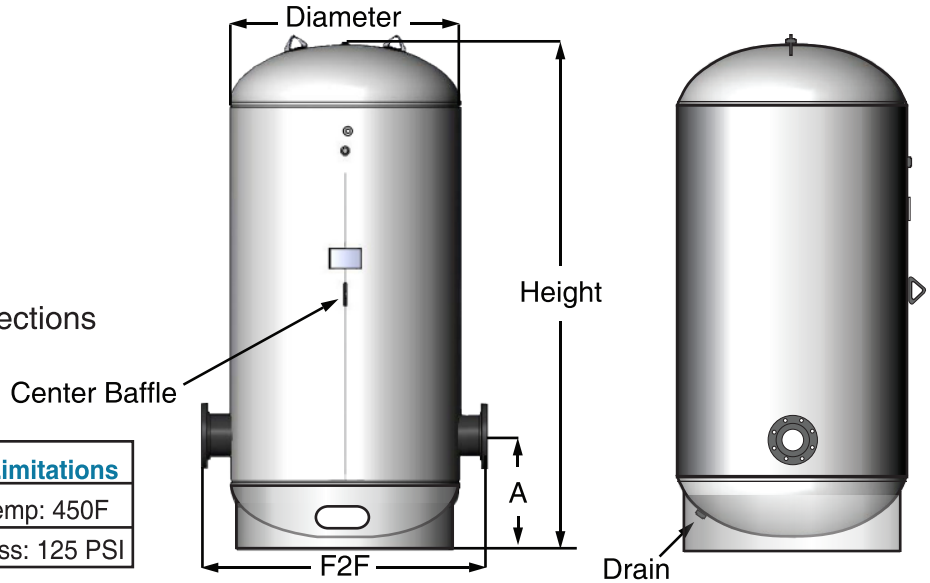


Chilled Water Buffer Tank

Optional Features:

- Manway, Hand hole
- Higher Pressures
- Stainless Steel Construction
- Upper Mounted System Connections

Construction	Performance Limitations
Carbon Steel	Max Design Temp: 450F
Exterior Primer Painted	Max Design Press: 125 PSI



Center-line Height (A in inches) for various Connection

MODEL	GAL	DIA. (IN.)	HGT (IN.)	2" FLG	2 1/2" FLG	3" FLG	4" FLG	6" FLG	8" FLG	10" FLG	12" FLG	Face to Face
AWCBT-120	120	24	60	12	12.25	12.50	13	14	15	16	17	36
AWCBT-200	200	30	72	14	14.25	14.50	15	16	17	18	19	42
AWCBT-300	300	36	72	15.75	15.75	16	16.50	17.50	18.5	19.5	20.50	48
AWCBT-400	400	36	99	24	24	24	25	26	27	28	29	48
AWCBT-500	500	42	90	17.50	17.75	18	18.5	19.50	20.5	21.5	22.50	54
AWCBT-750	750	48	106	18.75	19	19.375	19.875	21	21.875	23.5	24.5	60
AWCBT-850	850	54	96	21	21.25	21.50	22	23	24	25	26	66
AWCBT-1040	1040	60	96	22.75	23	23.25	23.75	24.75	25.75	26.75	27.75	74

DESCRIPTION: American Wheatley ASME Chilled Water Buffer Tanks are designed for chilled water systems with insufficient water volume capacity, in relation to the chiller capacity. Relatively low water volume systems require additional "buffer" capacity for the system to eliminate problems such as excessive chiller cycling, poor temperature control, and erratic system operation. The properly sized American Wheatley CBT tank adds the necessary volume to "buffer" the system.

TYPICAL SPECIFICATIONS: Furnish and install as shown on plans, an ASME Chilled Water Buffer Tank as manufactured by American Wheatley HVAC Products. The tank shall incorporate a baffle to promote tank water storage temperature stratification. The system water connections must be ___ inch (NPT/flanged/grooved).

The tank must be constructed in accordance with most recent addition of Section VIII of the ASME Boiler and pressure Vessel Code. Each Chilled Water Buffer Tank shall be American Wheatley Model AWCBT- _____.

Dimensions are subject to change without notice, please confirm actual dimensions with factory at time of order.

JOB NAME _____
LOCATION _____

CONTRACTOR _____
CONTRACTOR P.O. NO. _____

ITEMS	QUANTITY
_____	_____
_____	_____
_____	_____
_____	_____
_____	_____

American WHEATLEY
HVAC PRODUCTS®
 A GFP COMPANY
 1005 E. Houston
 Broken Arrow, OK 74012
 Toll Free: 866-204-5229
 PH: 918-317-0401
 FAX: 918-317-0407
 www.wheatleyhvac.com
 e-mail: sales@globalflowproducts.com