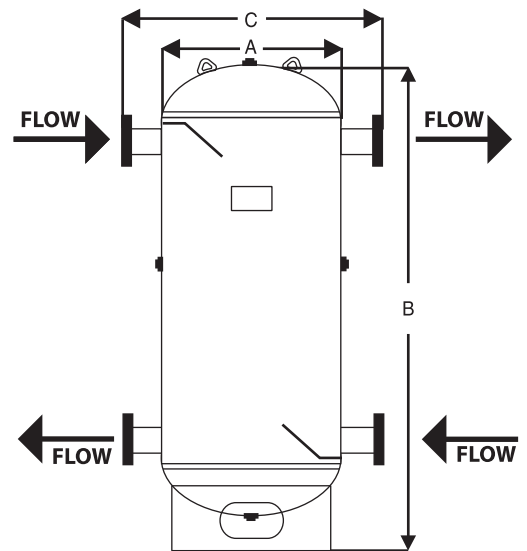


## Series HS

# Hot Water Hydraulic Separator/Buffer Tanks

American Wheatley HS Series Hot water buffer tanks are designed to operate with modern high efficiency low-mass modular boiler systems. The American Wheatley hot water buffer tank ensures minimal  $\Delta T$  and provides the necessary thermal storage to prevent short cycling that could occur during low load conditions.

- Prevents flow in one circuit from interfering with flow from another circuit
- Eliminates the need for a primary loop circulating pump, air separator, and strainer, thereby reducing initial cost as well as operating cost
- Eliminates complicated piping, reduces labor and piping costs
- Sized for no more than 4 fps, low velocity in the vessel results in low pressure drops
- Correctly installed hydraulic separation allows the use of multiple circulators to operate independently without interfering with each other
- Ideal for multiple load systems
- American Wheatley manufactures ASME hydraulic separators in standard sizes 2" through 14", ASME 125
- Larger sizes and pressure ratings readily available



### Typical Specifications:

Furnish and install an American Wheatley HS series, vertical hydraulic buffer tank as described on the drawings or schedule. Inlet and outlet connections shall be flanged unless otherwise noted. Unit shall be constructed of carbon steel and built in accordance with ASME Section VIII, Division 1, the nameplate manufacturer shall carry all applicable ASME certificates. Exterior shall be primer base coated.

MODEL NO.	SIZE	GALLON	AQ STAT	DRAIN	VENT	A	B	C	D	E	F	G	WT
HS-40	2", 2.5", 3", 4"	40	3/4	3/4	3/4	14	58.75	29.28	6.60	14.75	42.38	26	200
HS-120	2", 2.5", 3", 4"	120	3/4	3/4	3/4	24	65.25	32.63	6.60	18.53	41.38	36	440
HS-200	2", 2.5", 3", 4"	200	3/4	3/4	3/4	30	69.31	34.63	6.60	19.56	43.38	42	630
HS-300	2", 2.5", 3", 4"	300	3/4	3/4	3/4	36	73.63	36.82	6.60	21.75	43.38	48	730
HS-400	2", 2.5", 3", 4"	400	3/4	3/4	3/4	36	96.63	48.31	6.60	21.75	66.38	48	800

Dimensions are subject to change without notice, Please confirm actual dimensions with factory at time of order.

JOB NAME _____
LOCATION _____
_____
CONTRACTOR _____
CONTRACTOR P.O. NO. _____

ITEMS	QUANTITY
_____	_____
_____	_____
_____	_____
_____	_____
_____	_____



1005 E. Houston  
Broken Arrow, OK 74012  
Toll Free: 866-204-5229  
PH: 918-317-0401  
FAX: 918-317-0407  
www.wheatleyhvac.com  
e-mail: sales@globalflowproducts.com