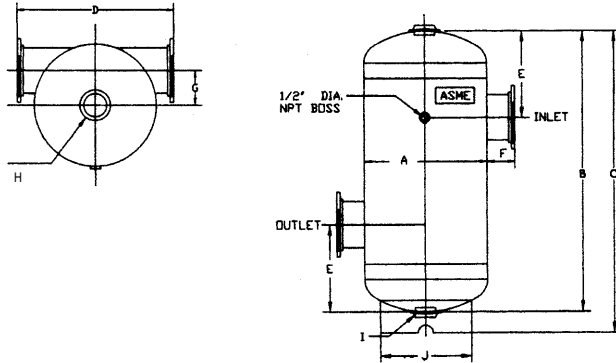


AIR SEPARATOR (Tangential Design)

(less strainer)

- ASME Construction.
- 8" and under 150 P.S.I. working pressure
- 10" and larger 125 P.S.I.-working pressure
- MNPT inlet & outlet on 2" & 2 1/2"
- 3" and larger flanged inlet & outlet
- Grooved end connections available
- 32" and above units available upon request
- Standard units are skirt mounted for vertical floor installation
- Ceiling and seismic mount available upon request



PART NUMBER	INLET & OUTLET	A(IN.)	B(IN.)	C(IN.)	D(IN.)	E(IN.)	F(IN.)	G(IN.)	H(IN.)	I(IN.)	J(IN.)	WEIGHT
TAS002	2"	12	19 1/2	25 1/8	16 5/8	5 1/2	2 1/8	4 5/16	1	1	9 1/2	40
TAS025	2 1/2"	12	19 1/2	25 1/8	16 5/8	5 1/2	2 3/8	4 1/16	1	1	9 1/2	44
TAS003	3"	12	19 1/2	25 1/8	19 3/4	5 3/4	2 1/2	3 3/4	1	1	9 1/2	52
TAS004	4"	14	29	34 5/8	21 3/4	9 1/8	2 1/2	4 1/4	1 1/2	1 1/2	11 1/2	94
TAS005	5"	14	29	34 5/8	21 3/4	9 1/8	2 1/2	3 3/4	1 1/2	1 1/2	11 1/2	116
TAS006	6"	20	41	46 5/8	28	13 1/4	2 1/2	6 1/4	1 1/2	1 1/2	18	201
TAS008	8"	20	41	46 5/8	28	13 1/4	3	5 3/16	1 1/2	1 1/2	18	296
TAS010	10"	30	58	63 9/16	41	19	3 1/2	9 1/8	2	2	24	560
TAS012	12"	30	58	63 9/16	41	19	3 1/2	8 1/8	2	2	24	665
TAS140	14"	36	75 1/2	80	46 3/8	22	3 1/2	10 3/16	2	2	30	910
TAS160	16"	48	100	108	60	30	3 5/8	12 1/2	2	2	38	2200
TAS180*	18"	54	116	124	66	33	3 5/8	13 5/8	2	2 1/2	44	2500
TAS200*	20"	60	130	138	72	35	7	16	2	2 1/2	50	3800
TAS240*	24"	72	152	162	84	40	8	19	2	2 1/2	62	7000
TAS300*	30"	72	152	162	84	38	6	19 7/8	2	2 1/2	62	7450

* Non-Stock Items Larger sizes can be fabricated to meet your needs. Please contact us.

USE: For removal of entrained air in hydronic and pumping systems.

SPECIFICATION:

Carbon Steel Construction

Maximum Temperature 375° F

Primed Exterior

A.S.M.E. Section VIII, Division I, stamped with documentation

Optional Paint Top Coat and/or Epoxy finishes

Available in carbon steel construction, 304/316 stainless steel construction and other alloy construction upon request.

For automatic air removal, we recommend adding our high capacity air vent part #AR-075

Cast Iron Body and Cover with Stainless Steel Internal Float and Assembly

Dimensions are subject to change without notice, please confirm actual dimensions with factory at time of order.



JOB NAME _____
 LOCATION _____

 CONTRACTOR _____
 CONTRACTOR P.O. NO. _____

ITEMS	QUANTITY
_____	_____
_____	_____
_____	_____
_____	_____
_____	_____



1005 E. Houston
 Broken Arrow, OK 74012
 Toll Free: 866-204-5229
 PH: 918-317-0401
 FAX: 918-317-0407
 www.wheatleyhvac.com
 e-mail: sales@globalflowproducts.com

PRESSURE DROP CHART AIR SEPARATOR (less strainer)

