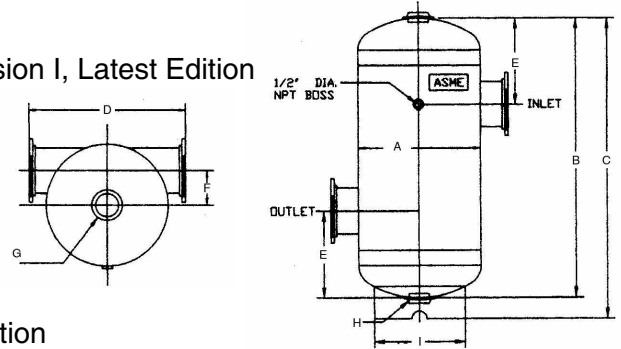


AIR SEPARATOR (Tangential Design) (less strainer)

Features:

- Constructed in accordance with ASME Section VIII, Division I, Latest Edition
- Carbon Steel Construction
- Primed Exterior
- 8" and under 150 P.S.I. working pressure
- 10" and larger 125 P.S.I. working pressure
- MNPT inlet & outlet on 2" and 2 1/2"
- 3" and larger flanged inlet and outlet
- Grooved end connections available
- 32" and above units available upon request
- Standard units are skirt mounted for vertical floor installation
- Ceiling and seismic mount available upon request

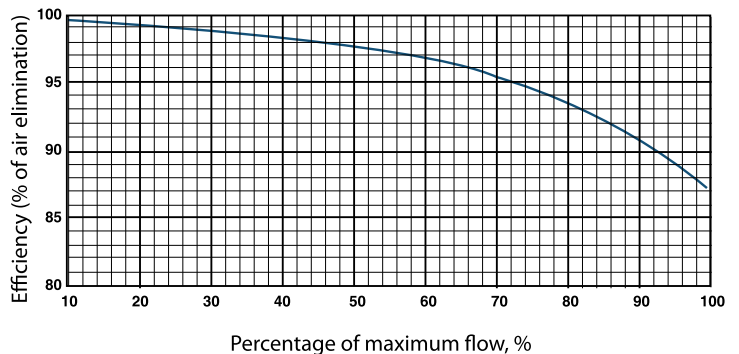


PART NUMBER	INLET & OUTLET	A (IN.)	B (IN.)	C (IN.)	D (IN.)	E (IN.)	F (IN.)	G (IN.)	H (IN.)	I (IN.)	WEIGHT
TAS002	2"	12	19 1/2	25 1/8	16 5/8	5 1/2	4 5/16	1	1	10 1/4	40
TAS025	2 1/2"	12	19 1/2	25 1/8	16 5/8	5 1/2	4 1/16	1	1	10 1/4	44
TAS003	3"	12	19 1/2	25 1/8	19 3/4	5 3/4	3 3/4	1	1	10 1/4	52
TAS004	4"	14	29	34 5/8	21 3/4	9 1/8	4 1/4	1 1/2	1 1/2	12 1/4	94
TAS005	5"	14	29	34 5/8	21 3/4	9 1/8	3 3/4	1 1/2	1 1/2	12 1/4	116
TAS006	6"	20	41	46 5/8	28	13 1/4	6 1/4	1 1/2	1 1/2	17 1/4	201
TAS008	8"	20	41	46 5/8	28	13 1/4	5 3/16	1 1/2	1 1/2	17 1/4	296
TAS010	10"	30	58	63 9/16	41	19	9 1/8	2	2	26 1/4	560
TAS012	12"	30	58	63 9/16	41	19	8 1/8	2	2	26 1/4	665
TAS140	14"	36	75 1/2	80	46 3/8	22	10 3/16	2	2	32 1/2	910
TAS160	16"	48	100	108	60	30	12 1/2	2	2	45	2,200
TAS180	18"	54	116	124	66	33	13 5/8	2	2 1/2	51 1/2	2,500
TAS200	20"	60	130	138	72	35	16	2	2 1/2	58 5/8	3,800
TAS240	24"	72	152	162	84	40	19	2	2 1/2	69 5/8	7,000
TAS300	30"	72	152	162	86	38	19 7/8	2	2 1/2	69 5/8	7,450

Options:

- Stainless Steel Construction
- Other Alloy Construction
- Higher pressures are available, please consult factory
- Optional Painted top coat and/or Epoxy finishes

For automatic air removal, we recommend adding our high capacity air vent part ARV-075.



Dimensions are subject to change without notice, please confirm actual dimensions with factory at time of order.

JOB NAME _____
 LOCATION _____

 CONTRACTOR _____
 CONTRACTOR P.O. NO. _____

ITEMS	QUANTITY
_____	_____
_____	_____
_____	_____
_____	_____
_____	_____
_____	_____



1005 E. Houston
 Broken Arrow, OK 74012
 Toll Free: 866-204-5229
 PH: 918-317-0401
 FAX: 918-317-0407
 www.wheatleyhvac.com
 e-mail: sales@globalflowproducts.com

PRESSURE DROP CHART AIR SEPARATOR (less strainer)

