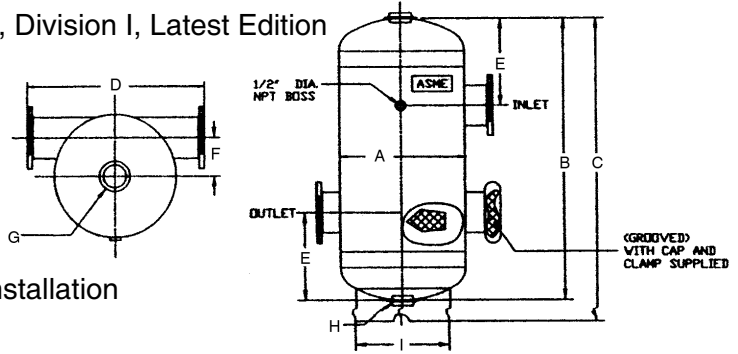


# AIR SEPARATOR (Tangential Design) (with strainer)

## Features:

- Constructed in accordance with ASME Section VIII, Division I, Latest Edition
- Carbon Steel Construction
- Primed Exterior
- 8" and under 150 P.S.I. working pressure
- 10" and larger 125 P.S.I. working pressure
- MNPT inlet & outlet on 2" and 2 1/2"
- 3" and larger flanged inlet and outlet
- Grooved end connections available
- 32" and above units available upon request
- Standard units are skirt mounted for vertical floor installation
- Ceiling and seismic mount available upon request
- Stainless Steel material

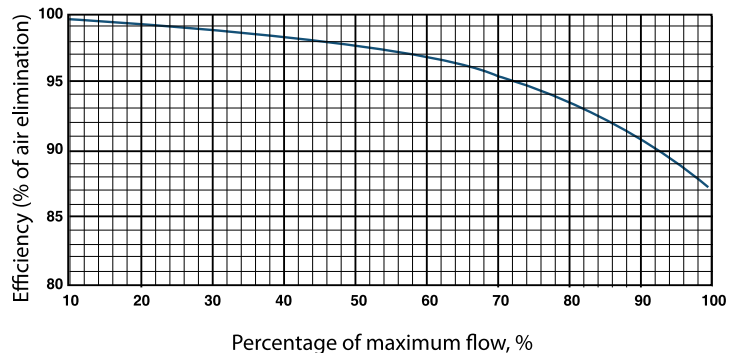


PART NUMBER	INLET & OUTLET	A(IN.)	B(IN.)	C(IN.)	D(IN.)	E(IN.)	F(IN.)	G(IN.)	H(IN.)	I(IN.)	WEIGHT
TASS002	2"	12	19 1/2	22 1/2	16 5/8	5 1/2	4 5/16	1	1	10 1/4	48
TASS025	2 1/2"	12	19 1/2	22 1/2	16 5/8	5 1/2	4 1/16	1	1	10 1/4	58
TASS003	3"	12	19 1/2	22 1/2	19 3/4	5 3/4	3 3/4	1	1	10 1/4	70
TASS004	4"	14	29	32	21 3/4	9 1/8	4 1/4	1 1/2	1 1/2	12 1/4	108
TASS005	5"	14	29	32	21 3/4	9 1/8	3 3/4	1 1/2	1 1/2	12 1/4	136
TASS006	6"	20	41	44	28	13 1/4	6 1/4	1 1/2	1 1/2	17 1/4	236
TASS008	8"	20	41	44	28	13 1/4	5 3/16	1 1/2	1 1/2	17 1/4	356
TASS010	10"	30	58	60 1/2	41	19	9 1/8	2	2	26 1/4	660
TASS012	12"	30	58	60 1/2	41	19	8 1/8	2	2	26 1/4	870
TASS140	14"	36	75 1/2	80	46 3/8	22	10 3/16	2	2	32 1/2	1,220
TASS160	16"	48	100	108	60	30	12 1/2	2	2	45	2,700
TASS180	18"	54	116	124	66	33	13 5/8	2	2 1/2	51 1/2	3,000
TASS200	20"	60	130	138	72	35	16	2	2 1/2	58 5/8	4,000
TASS240	24"	72	152	160	84	40	19	2	2 1/2	69 5/8	5,500
TASS300	30"	72	152	162	86	38	19 7/8	2	2 1/2	69 5/8	8,000

## Options:

- Stainless Steel Construction
- Other Alloy Construction
- Higher pressures are available, please consult factory
- Optional Painted top coat and/or Epoxy finishes

*For automatic air removal, we recommend adding our high capacity air vent part ARV-075.*



Dimensions are subject to change without notice, please confirm actual dimensions with factory at time of order.

JOB NAME \_\_\_\_\_  
 LOCATION \_\_\_\_\_  
 \_\_\_\_\_  
 \_\_\_\_\_  
 CONTRACTOR \_\_\_\_\_  
 CONTRACTOR P.O. NO. \_\_\_\_\_

ITEMS	QUANTITY
_____	_____
_____	_____
_____	_____
_____	_____
_____	_____
_____	_____



1005 E. Houston  
 Broken Arrow, OK 74012  
 Toll Free: 866-204-5229  
 PH: 918-317-0401  
 FAX: 918-317-0407  
 www.wheatleyhvac.com  
 e-mail: sales@globalflowproducts.com

**PRESSURE DROP CHART AIR SEPARATOR (with strainer)**

