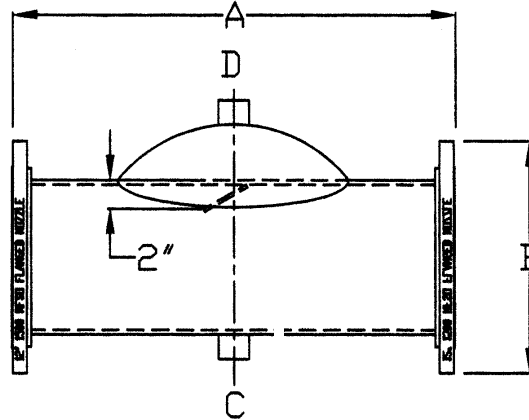


AIR SCOOPS



| PART NUMBER | SYSTEM CONNECTION | A(IN.) | B(IN.) | C(IN.) | D(IN.) | WEIGHT |
|-------------|-------------------|--------|--------|--------|--------|--------|
| AP-003 | 3" | 12 | 8 | 3/4 | 3/4 | 42 |
| AP-004 | 4" | 12 | 9 | 3/4 | 3/4 | 51 |
| AP-005 | 5" | 15 | 10 | 1 1/2 | 1 1/2 | 65 |
| AP-006 | 6" | 18 | 11 | 1 1/2 | 1 1/2 | 83 |
| AP-008 | 8" | 24 | 13 1/2 | 1 1/2 | 1 1/2 | 135 |
| AP-010 | 10" | 30 | 16 | 1 1/2 | 1 1/2 | 235 |
| AP-012 | 12" | 36 | 19 | 1 1/2 | 1 1/2 | 352 |
| AP-014 * | 14" | 42 | 21 | 1 1/2 | 1 1/2 | 435 |
| AP-016 * | 16" | 48 | 23 1/2 | 1 1/2 | 1 1/2 | 525 |
| AP-018 * | 18" | 54 | 25 | 1 1/2 | 1 1/2 | 650 |
| AP-020 * | 20" | 60 | 27 1/2 | 2 | 2 | 825 |

*Non-stock Items

Larger Sizes can be fabricated to meet your needs. Please contact us.
For tangential air separators with and without strainers please see series ASL and ASW.

USE: For removal of entrained air in hydronic and pumping systems.
Helps prolong life of heating or cooling systems.
Provides protection against possible pipe damage and system noise.

SPECIFICATION:

Carbon Steel Construction
Maximum Temperature 345° F

Working Pressure rated at 150 P.S.I
Non A.S.M.E.

WE RECOMMEND ADDING OUR HIGH CAPACITY AIR VENT PART #ARO-75 FOR AUTOMATIC AIR REMOVAL. AIR VENT-CAST IRON BODY AND COVER, STAINLESS STEEL INTERNAL FLOAT AND ASSEMBLY.

Dimensions are subject to change without notice, please confirm actual dimensions with factory at time of order.

JOB NAME _____
 LOCATION _____

 CONTRACTOR _____
 CONTRACTOR P.O. NO. _____

| ITEMS | QUANTITY |
|-------|----------|
| _____ | _____ |
| _____ | _____ |
| _____ | _____ |
| _____ | _____ |
| _____ | _____ |
| _____ | _____ |

American WHEATLEY
HVAC PRODUCTS®
 A GFP COMPANY
 1005 E. Houston
 Broken Arrow, OK 74012
 Toll Free: 866-204-5229
 PH: 918-317-0401
 FAX: 918-317-0407
 www.wheatleyhvac.com
 e-mail: sales@globalflowproducts.com