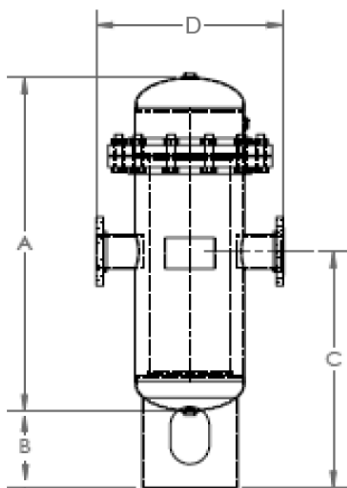


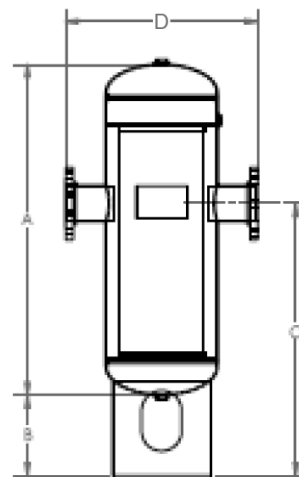
# STANDARD & HIGH VELOCITY AIR & DIRT SEPARATOR

The American Wheatley HVAD high velocity and STAD standard velocity, coalescing type air & dirt Separator is intended for use on commercial HVAC, Institutional, and industrial applications to remove entrained air and particulate from the system water. American Wheatley utilizes a coalescing media consisting of 304SS high performance saddle rings. All American Wheatley are designed and constructed to ASME Section VIII, Division 1 standard. The American Wheatley HVAD & STAD series coalescing type air & dirt separator is capable of removing 99.6% free air and 99% of the measurable entrained and dissolved air with continuous circulation. Solids to 20 microns can be eliminated with continuous circulation

- HVAD-High Velocity up to 6039 GPM
- STAD-Standard Velocity up to 2599 GPM
- Available with or without removable cover
- Stainless steel coalescing media
- Skim and drain valve connections standard
- Available 2" through 16", with larger sizes POA
- ASME rated 150PSI WP 2"-12", 125PSI WP14"-16" with higher pressures available
- Built in accordance with ASME, Section VIII-Division 1, latest edition
- Constructed in accordance Section VIII of the ASME Boiler and Pressure Vessel Code



**RC- Removable Cover**



**NR- Non Removable Cover**

JOB NAME _____
LOCATION _____
_____
CONTRACTOR _____
CONTRACTOR P.O. NO. _____

ITEMS	QUANTITY
_____	_____
_____	_____
_____	_____
_____	_____
_____	_____

### Standard Velocity with Non Removable Cover

PIPE SIZE	MODEL NO.	DIA. (INCH)	A (INCH)	B (INCH)	C (INCH)	D (INCH)	SURFACE AREA (SQ. FT.)	WEIGHT (LBS)	MAX FLOW (GPM)
2	STAD-2-NR	14	24 13/16	6	15	21-3/4	64	85	50
2.5	STAD-2.5-NR	14	24 13/16	6	15	21-3/8	39	90	75
3	STAD-3-NR	14	28 -7/16	6	15	21-1/4	51	100	115
4	STAD-4-NR	14	28-7/16	6	15	24	51	110	190
5	STAD-5-NR	20	39-13/16	6-3/4	18-3/4	30	106	190	300
6	STAD-6-NR	20	39-13/16	6-3/4	18-3/4	29-5/8	106	205	440
8	STAD-8-NR	24	47-1/4	7-1/16	21-1/16	34-5/8	187	430	750
10	STAD-10-NR	30	59-7/16	7-13/16	25-13/16	41-1/4	300	600	1200
12	STAD-12-NR	30	59-7/16	7-13/16	25-13/16	42-3/4	300	650	1700
14	STAD-14-NR	36	77-13/16	8-1/2	34-1/2	49-5/8	600	870	2040
16	STAD-16-NR	36	77-13/16	8-1/2	34-1/2	51	600	870	2599

### Standard Velocity with Removable Cover

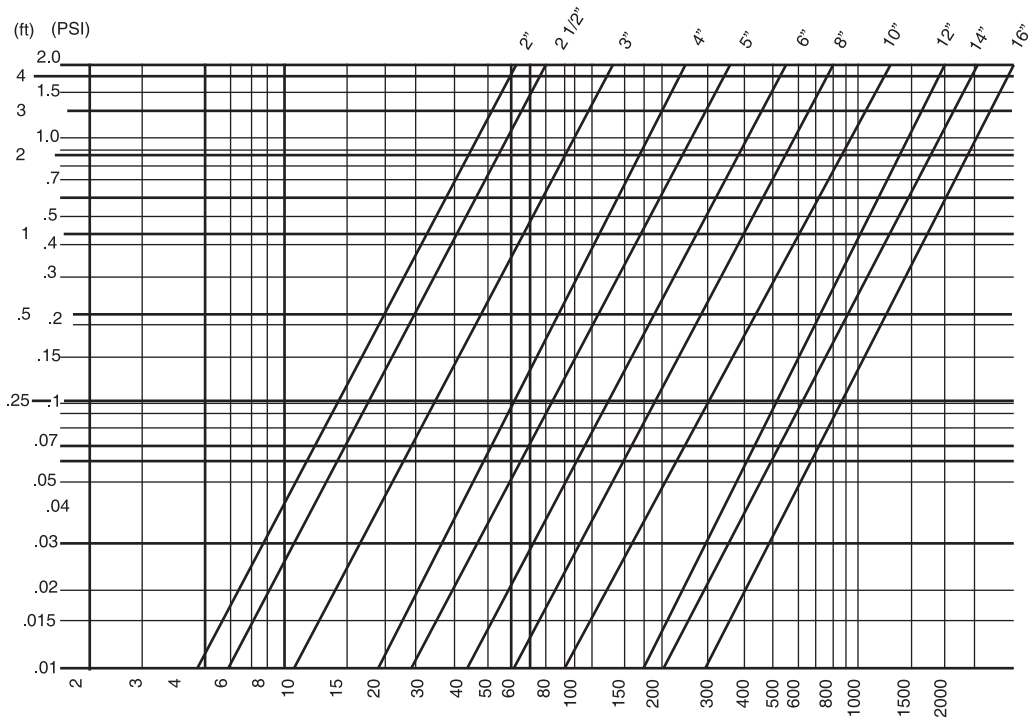
PIPE SIZE	MODEL NO.	DIA. (INCH)	A (INCH)	B (INCH)	C (INCH)	D (INCH)	SURFACE AREA (SQ. FT.)	WEIGHT (LBS)	MAX FLOW (GPM)
2	STAD-2-RC	14	27-1/8	6	15	21-3/4	38	265	50
2.5	STAD-2.5-RC	14	27-1/8	6	15	21-3/8	38	270	75
3	STAD-3-RC	14	30-11/16	6	15	21-1/4	51	280	115
4	STAD-4-RC	14	30-11/16	6	15	24	51	290	190
5	STAD-5-RC	20	44-1/16	6-3/4	18-3/4	30	106	520	300
6	STAD-6-RC	20	44-1/16	6-3/4	18-3/4	29-5/8	106	535	440
8	STAD-8-RC	24	52-1/2	7-1/16	21-1/16	34-5/8	187	870	750
10	STAD-10-RC	30	64-9/16	7-13/16	25-13/16	41-1/4	300	1000	1200
12	STAD-12-RC	30	64-9/16	7-13/16	25-13/16	42-3/4	300	1050	1700
14	STAD-14-RC	36	82-15/16	8-1/2	34-1/2	49-5/8	600	1523	2040
16	STAD-16-RC	36	82-15/16	8-1/2	34-1/2	51	600	1553	2599

### High Velocity with Non Removable Cover

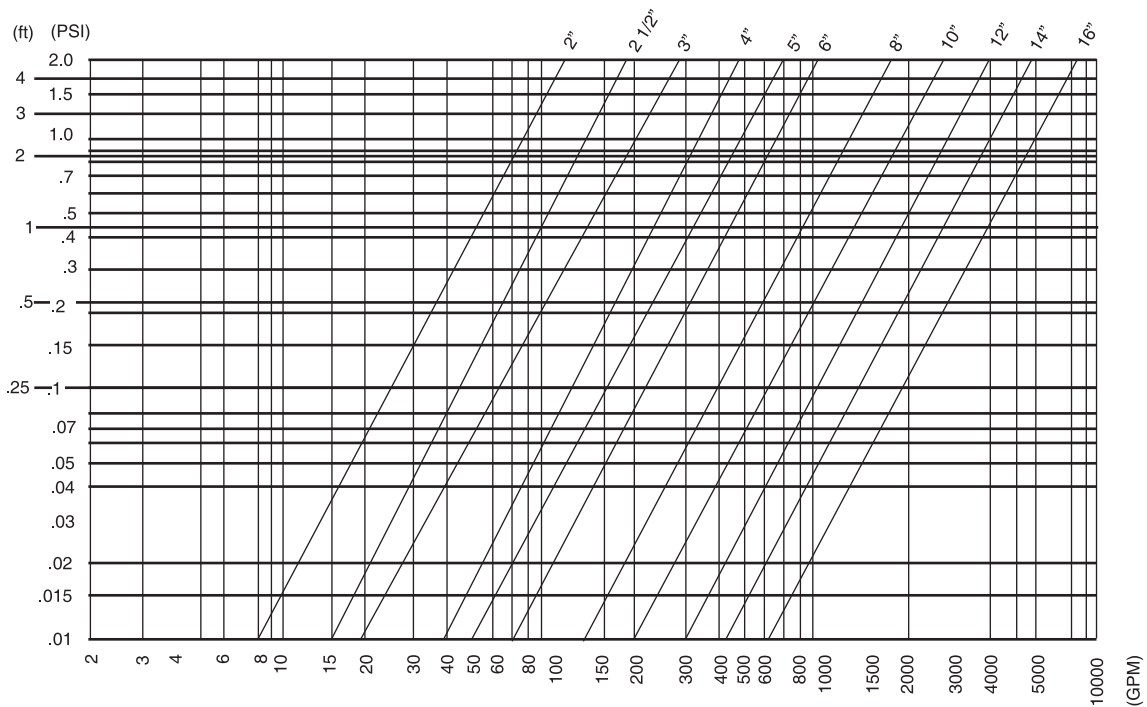
PIPE SIZE	MODEL NO.	DIA. (INCH)	A (INCH)	B (INCH)	C (INCH)	D (INCH)	SURFACE AREA (SQ. FT.)	WEIGHT (LBS)	MAX FLOW (GPM)
2	HVAD-2-NR	14	31-11/16	10-15/16	27-15/16	21-3/4	65.1	99	108
2.5	HVAD-2.5-NR	14	31-11/16	10-15/16	27-15/16	21-3/8	65.1	103	163
3	HVAD-3-NR	14	39-1/8	10-15/16	31-3/4	21-1/4	80.6	119	249
4	HVAD-4-NR	14	39-1/8	10-15/16	31-3/4	24	80.6	128	432
5	HVAD-5-NR	20	56-1/2	11-15/16	41-11/16	29-5/8	162.2	253	685
6	HVAD-6-NR	20	56-1/2	11-15/16	41-11/16	30	162.2	270	988
8	HVAD-8-NR	24	68-1/16	12-1/8	48-7/8	34-5/8	287	519	1714
10	HVAD-10-NR	30	84-13/16	12-3/4	58-3/16	41-1/4	455	736	2698
12	HVAD-12-NR	30	84-13/16	12-3/4	58-3/16	42-3/4	455	783	3831
14	HVAD-14-NR	36	101-15/16	12-5/8	66-7/8	49-5/8	798.1	1101	4623
16	HVAD-16-NR	36	101-15/16	12-5/8	66-7/8	51	798.1	1124	6039

### High Velocity with Removable Cover

PIPE SIZE	MODEL NO.	DIA. (INCH)	A (INCH)	B (INCH)	C (INCH)	D (INCH)	SURFACE AREA (SQ. FT.)	WEIGHT (LBS)	MAX FLOW (GPM)
2	HVAD-2-RC	14	34-1/16	10-15/16	27-7/8	21-3/4	64.8	281	108
2.5	HVAD-2.5-RC	14	34-1/16	10-15/16	27-7/8	21-3/8	64.8	283	163
3	HVAD-3-RC	14	41-9/16	10-15/16	24-3/4	21-1/4	78.7	300	249
4	HVAD-4-RC	14	41-9/16	10-15/16	24-3/4	24	78.7	308	432
5	HVAD-5-RC	20	60-13/16	11-15/16	42-11/16	29-5/8	159	587	685
6	HVAD-6-RC	20	60-13/16	11-15/16	42-11/16	30	159	598	989
8	HVAD-8-RC	24	73-1/4	12-1/8	48-7/8	34-5/8	282.2	958	1714
10	HVAD-10-RC	30	90-1/8	12-3/4	58-3/16	41-1/4	448.9	1129	2698
12	HVAD-12-RC	30	90-1/8	12-3/4	58-3/16	42-3/4	448.9	1179	3831
14	HVAD-14-RC	36	108-1/2	12-5/8	66-7/8	49-5/8	787.6	1658	4623
16	HVAD-16-RC	36	108-1/2	12-5/8	66-7/8	51	787.6	1689	6039



**STAD PRESSURE DROP**



**HVAD PRESSURE DROP**