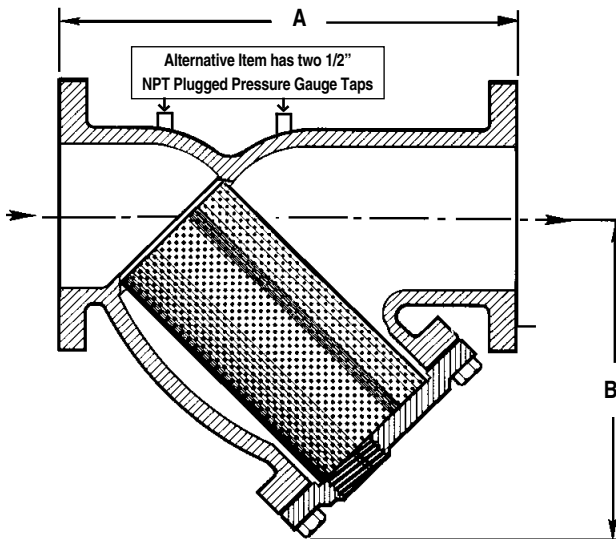


Y-Type Flanged Strainers Model YF



Dimensional Data (In Inches)

Model	Size	A	B	Blowoff NPT	Screen Removal	Weight (Lbs.)
YF0200	2	8 7/8	5 1/4	1	7	36
YF0250	2 1/2	10 1/4	7 5/8	1	9 3/4	48
YF0300	3	11 1/2	8 1/4	1	10	86
YF0400	4	13 7/8	10 1/8	1 1/2	12	106
YF0500	5	16 3/8	12 1/2	2	17	156
YF0600	6	18 1/2	13	2	20	201
YF0800	8	21 3/8	13 7/8	2	22 3/4	321
YF1000	10	26	17 1/8	2	28	370
YF1200	12	30	20 1/2	2	30	621
YF1400	14	37 3/8	27 1/8	2	36 1/2	992
YF1600	16	42 1/2	31 1/16	2	42	1367
* YF 1800	18	45 1/4	32 3/4	2	43	1676
* YF 2000	20	50 1/4	36 1/8	2	44	1764
YF2400	24	48	40	2	64	1980

Operating Pressure & Temperature:

Steam	125 PSI @ 350°F
Liquid	200 PSI @ 150°F

Standard Screens:

Service	Sizes	Screen Openings	Screen Material
Steam & Liquid	2"-3"	.045 (3/64")	Stainless Steel-304
	4"- 20"	.125 (1/8")	

*Perforated monel and other alloys are available as an option.

Mesh lining is available in all alloys for extra fine straining.

Consult factory for other applications.

*All sizes come complete with flanged blow off cover, gasket and plug.

*Alternative Item:

YF-1800 A Dimension 43.125". YF-2000 A Dimension 49.5"

1/16 Screen Equivalent through use of 5/32" Perforated Permanent Screen with 10 Mesh Overlay.

Catalog weights & dimensions are approximate.

Apply for certified dimensions from the factory.

Bill of Materials

Part Name	Material
Cover	Cast Iron ASTM A126 Class B*
Gasket	Graphite & Steel
Screen	Stainless Steel - Type 304*
Body	Cast iron ASTM A126 Class B
Bolts	Steel ASTM A307

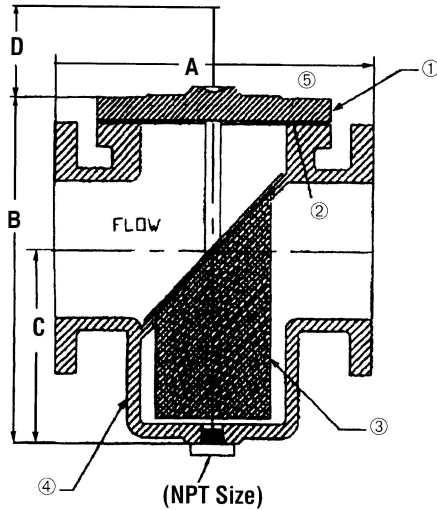
Dimensions are subject to change without notice, please confirm actual dimensions with factory at time of order.

JOB NAME _____
LOCATION _____

CONTRACTOR _____
CONTRACTOR P.O. NO. _____

ITEMS	QUANTITY
_____	_____
_____	_____
_____	_____
_____	_____
_____	_____
_____	_____

Basket Type Strainers



Dimensional Data (In Inches)

Model	Size	A	B	C	D	Weight (Lbs.)
BS0200	2	8 1/8	8 3/4	5	1/2	34
BS0250	2 1/2	8 1/4	9 7/8	6	3/4	43
BS0300	3	9 7/8	10 3/4	7 1/2	3/4	60
BS0400	4	11 1/2	13	8	1	120
BS0500	5	13 1/8	14 1/2	8 1/2	1	140
BS0600	6	14 7/8	16 1/8	9 1/2	1	164
BS0800	8	18 3/4	20 7/8	12	1 1/2	330
BS1000	10	20 1/8	24 1/4	13 1/4	1 1/2	350
BS1200	12	26 3/4	30 1/4	16 3/8	2	716
BS1400	14	30 1/4	29 1/2	16 1/8	2	1010
BS1600	16	33 1/8	36 1/4	21	2	1320
BS1800	18	33 3/8	38	21	2	1916
BS2000	20	33 1/8	43 5/8	23 1/4	2	2240
BS2400	24	41 1/2	50 5/8	30	2	2460

Operating Pressure & Temperature:

FLG	SIZE	Saturated Steam	Water - Oil - Gas
125#	2 to 24"	125 PSI @ 350°F	150 PSI @ 150°F

Standard Baskets:

Size	Standard Mesh	Opening
2" to 3"	3/64 perf	.045"
4" to 24"	1/8 perf	.125"

Bill of Materials

Item	Part Name	Material
1	Cover	Cast Iron ASTM A126-B
2	Gasket	Fiber
3	Screen	Stainless Steel
4	Body	Cast Iron ASTM A126-B
5	Bolts	Carbon Steel

Dimensions are subject to change without notice, please confirm actual dimensions with factory at time of order.

JOB NAME _____
 LOCATION _____

 CONTRACTOR _____
 CONTRACTOR P.O. NO. _____

ITEMS	QUANTITY
_____	_____
_____	_____
_____	_____
_____	_____
_____	_____