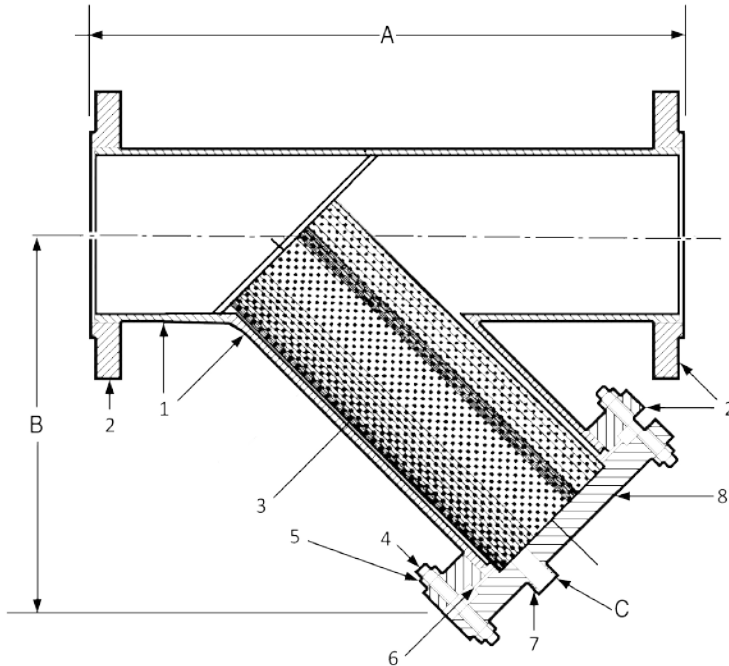


Fabricated Y-Type Flanged Strainers

Model YFF



Dimensional Data (In Inches)

Model	Size	A	B	C	Weight (lbs)
YF0400F	4	16	12	1	105
YF0500F	5	19	14	1	142
YF0600F	6	22	16	1	174
YF0800F	8	26	19	1½	246
YF1000F	10	30	24	1½	386
YF1200F	12	35	26	1½	548
YF1400F	14	39	30	2	792
YF1600F	16	45	34	2	990
YF1800F	18	46	34	2	1125
YF2000F	20	52	38	2	1410
YF2400F	24	60	44	2	2025
YF3000F	30	72	50	2	2980

Operating Pressure & Temperature:

Nom. Rating	4" to 30"
150#RFSO	285 PSI @100°F

*Perforated monel and other alloys are available as an option. Mesh lining is available in all alloys for extra fine straining. Consult factory for other applications.

*All sizes come complete with flanged blow off cover, gasket and plug.

Bill of Materials

Item	Part Name	Material
1	Body	Carbon Steel Pipe/Plate
2	150lbRFSO Flange	Carbon Steel
3	Screen	304 Stainless Steel 1/8" perf
4	Studs	Carbon Steel ASTM
5	Nut	Carbon Steel ASTM
6	Gasket	Graphite
7	NPT Half Coupling	Carbon Steel
8	150lb Blind Flange	Carbon Steel

Catalog weights & dimensions are approximate.
Apply for certified dimensions from the factory.

Dimensions are subject to change without notice, please confirm actual dimensions with factory at time of order.

JOB NAME _____
 LOCATION _____

 CONTRACTOR _____
 CONTRACTOR P.O. NO. _____

ITEMS	QUANTITY
_____	_____
_____	_____
_____	_____
_____	_____
_____	_____



1005 E. Houston
 Broken Arrow, OK 74012
 Toll Free: 866-204-5229
 PH: 918-317-0401
 FAX: 918-317-0407
 www.wheatleyhvac.com
 e-mail: sales@globalflowproducts.com