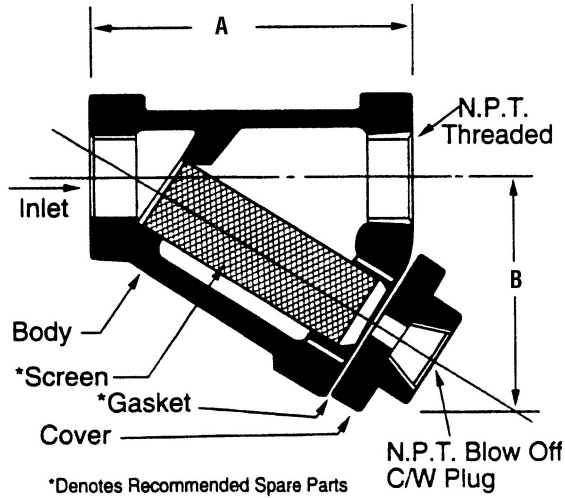


Y-Type Threaded Strainers-Cast Iron



Dimensional Data

Model No.	Size (In.)	A	B	Blowoff NPT	Weight (Lbs.)
CTY0050	1/2	3 1/4	2 1/4	1/4	2.5
CTY0075	3/4	3 3/4	2 5/8	1/2	3
CTY0100	1	4	2 3/4	1/2	5
CTY0125	1 1/4	5	3 3/4	3/4	9
CTY1050	1 1/2	5 13/16	4	3/4	10
CTY0200	2	7	5	1	16
CTY0250	2 1/2	9 5/16	6	1 1/2	29
CTY0300	3	10 1/8	7	1 1/2	38

Catalog weights & dimensions are approximate.

Apply for certified dimensions from the factory.

Operating Pressure & Temperature:

Steam	250 PSI @ 450°F
Liquid	400 PSI @ 150°F

Bill of Materials

Item	Part Name	Material
1	Screen	Stainless Steel
2	Body	Cast iron ASTM A126-B

Standard Screens:

Service	Sizes	Screen Openings	Screen Material
Steam & Liquid	1/2" thru 3"	20 Mesh .032 perf.	Stainless Steel*

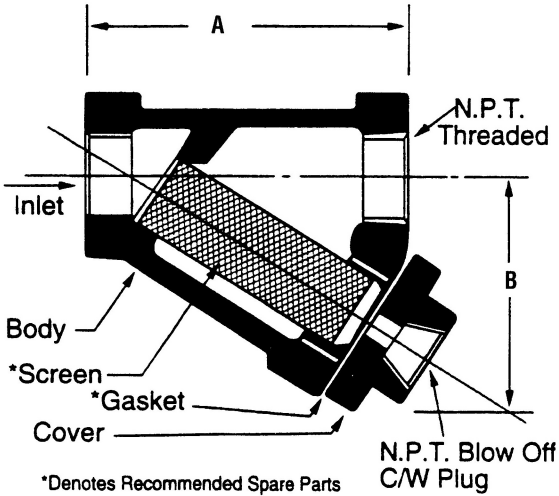
Dimensions are subject to change without notice, please confirm actual dimensions with factory at time of order.

JOB NAME _____
 LOCATION _____

 CONTRACTOR _____
 CONTRACTOR P.O. NO. _____

ITEMS	QUANTITY
_____	_____
_____	_____
_____	_____
_____	_____
_____	_____
_____	_____

Y-Type Threaded Strainers - Bronze



Dimensional Data

Model No.	Size (In.)	A	B	Blowoff NPT	Screen Removal	Weight (Lbs.)
BTY0050	1/2	3 7/32	2 5/32	3/8	2 1/2	2.5
BTY0075	3/4	3 5/16	2 3/4	3/8	2 5/8	3
BTY0100	1	4 17/32	2 15/16	1/2	3 3/8	5
BTY0125	1 1/4	5 11/32	3 9/16	1/2	4 5/8	9
BTY1050	1 1/2	6 7/32	3 27/32	1/2	5	10
BTY0200	2	7 1/2	5 7/16	1/2	6 7/8	16
BTY0250	2 1/2	9 1/16	5 29/32	1/2	8 3/4	29
BTY0300	3	10 7/32	6 9/32	1/2	9 3/4	38

Catalog weights & dimensions are approximate.

Apply for certified dimensions from the factory.

Operating Pressure & Temperature:

Steam	150 PSI @ 400°F
Liquid	300 PSI @ 150°F

Bill of Materials

Item	Part Name	Material
1	Screen	Stainless Steel
2	Body	Bronze ASTM B-62

Standard Screens:

Service	Sizes	Screen Openings	Screen Material
Steam & Liquid	1/2" thru 3"	20 Mesh .032 perf.	Stainless Steel*

Dimensions are subject to change without notice, please confirm actual dimensions with factory at time of order.

JOB NAME _____
 LOCATION _____

 CONTRACTOR _____
 CONTRACTOR P.O. NO. _____

ITEMS	QUANTITY
_____	_____
_____	_____
_____	_____
_____	_____
_____	_____
_____	_____