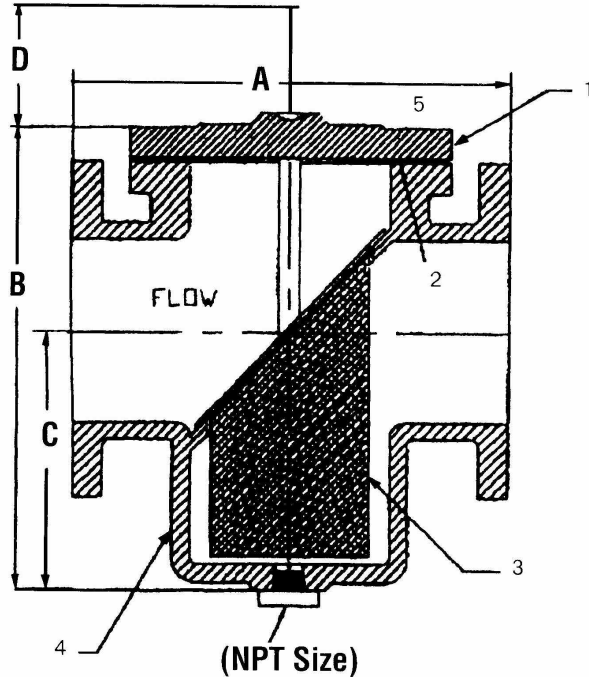


# Basket Type Strainer



## Dimensional Data (In Inches)

Model	Size	A	B	C	D	Weight (Lbs.)
BS0200	2	8 1/8	8 3/4	5	1/2	34
BS0250	2 1/2	8 1/4	9 7/8	6	3/4	43
BS0300	3	9 7/8	10 3/4	7 1/2	3/4	60
BS0400	4	11 1/2	13	8	1	120
BS0500	5	13 1/8	14 1/2	8 1/2	1	140
BS0600	6	14 7/8	16 1/8	9 1/2	1	164
BS0800	8	18 3/4	20 7/8	12	1 1/2	330
BS1000	10	20 1/8	24 1/4	13 1/4	1 1/2	350
BS1200	12	26 3/4	30 1/4	16 3/8	2	716
BS1400	14	30 1/4	29 1/2	16 3/8	2	1010
BS1600	16	33 1/8	36 1/4	21	2	1320
BS1800	18	33 3/8	38	21	2	1916
BS2000	20	33 1/8	43 5/8	23 1/4	2	2240
BS2400	24	41 1/2	50 5/8	30	2	2460

## Operating Pressure & Temperature:

FLG	SIZE	Saturated Steam	Water - Oil - Gas
125#	2 to 24"	125 PSI @ 350°F	150 PSI @ 150°F

## Bill of Materials

Item	Part Name	Material
1	Cover	Cast Iron ASTM A126-B
2	Gasket	Fiber
3	Screen	Stainless Steel
4	Body	Cast Iron ASTM A126-B
5	Bolts	Carbon Steel

## Standard Baskets:

Size	Standard Mesh	Opening
2" to 3"	3/64 perf	.045"
4" to 24"	1/8 perf	.125"

Dimensions are subject to change without notice, please confirm actual dimensions with factory at time of order.

JOB NAME \_\_\_\_\_  
 LOCATION \_\_\_\_\_  
 \_\_\_\_\_  
 \_\_\_\_\_  
 CONTRACTOR \_\_\_\_\_  
 CONTRACTOR P.O. NO. \_\_\_\_\_

ITEMS	QUANTITY
_____	_____
_____	_____
_____	_____
_____	_____
_____	_____