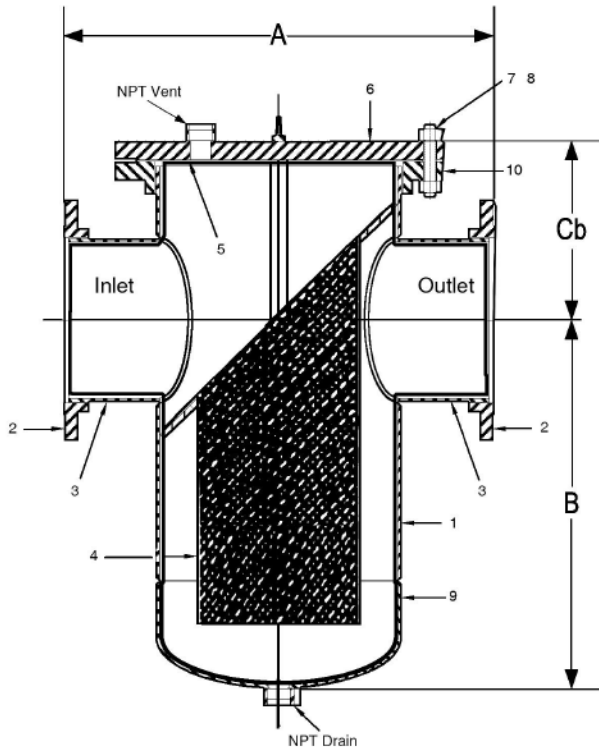


Fabricated Basket Type Strainer

Model BSF



Dimensional Data (In Inches)

Model	Size	A	B	C	Weight Cover (lbs)	Weight Total (lbs)
BS0400F	1	10	11½	7	9	43
BS0400F	1½	11	13½	8	17	68
BS0400F	2	12	14½	8	17	72
BS0400F	2½	14	23	13	20	91
BS0400F	3	14	23	13	27	131
BS0400F	4	16	24½	14	47	241
BS0500F	5	16	26	15	47	277
BS0600F	6	20	28	17	70	336
BS0800F	8	22	33	21	123	479
BS1000F	10	32	38	25	180	740
BS1200F	12	35	43	28	220	862
BS1400F	14	37	39½	33	285	1096
BS1600F	16	42	43½	36	430	1573
BS1800F	18	42	57½	39	430	1607
BS2000F	20	43	64	44	543	2201
BS2400F	24	48	65	44	543	2233
BS3000F	30	60	81	54	890	3410

Operating Pressure & Temperature

Nom. Rating	1" to 30"
150#RFSO	285 PSI @ 100°F

Optional Features:

- Stainless Steel Construction
- Davit Arm
- Quick Release Cover
- Pressures ANSI 300 to 2500
- Screen Materials available in various perforation sizes and materials of construction
- ASME Code Construction

Dimensions are subject to change without notice, please confirm actual dimensions with factory at time of order.

Bill of Materials

Item	Part Name	Material
1	Body	Carbon Steel Pipe/Plate
2*	150lb RFSO Flange	Carbon Steel (ASTM A 105) B16.5
3	Nozzle	Carbon Steel Pipe/Plate
4	Basket	Stainless Steel (304) 1/8" perf
5	Gasket	Fiber
6	150lb Blind Flange (Cover)	Carbon Steel (ASTM A 105) B16.5
7	Studs	Carbon Steel (ASTM A 193, Grade B7)
8	Nuts	Carbon Steel (ASTM A 194, Grade 2H)
9	Weld Cap/Head	Carbon Steel Pipe/Plate
10*	150lb RFSO Flange	Carbon Steel (ASTM A 105) B16.5

*30" & Larger Flanges are RFWN Series B

JOB NAME _____
 LOCATION _____

 CONTRACTOR _____
 CONTRACTOR P.O. NO. _____

ITEMS	QUANTITY
_____	_____
_____	_____
_____	_____
_____	_____
_____	_____
_____	_____



1005 E. Houston
 Broken Arrow, OK 74012
 Toll Free: 866-204-5229
 PH: 918-317-0401
 FAX: 918-317-0407
 www.wheatleyhvac.com
 e-mail: sales@globalflowproducts.com