

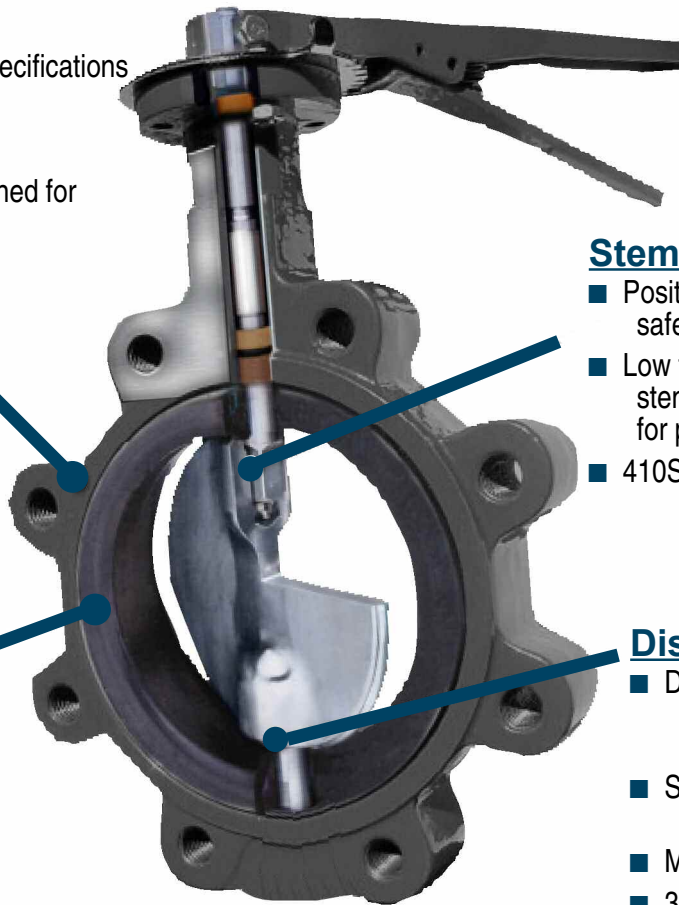
Butterfly Valve

Body:

- Extended neck accepts insulation
- Meets API-609 and MSS SP-67 specifications
- ISO Mounting Pad
- Ductile Iron body standard
- Optional: body and seat can be pinned for dead end service

Seat:

- Phenolic backed cartridge seat design for extended service life. Can be used for vacuum services
- Seating area designed for low friction, tight seal
- Molded-flange ribs for tight gasket sealing.
- Elastometer molded for primary stem sealing.
- EPDM standard
- PTFE & BUNA optional
- Seat & Disc designed for 100% bubble tight shutoff
- Valves are designed for bi-directional service



Stem:

- Positive stem retention for safety.
- Low tolerance square drive stem-to-disc connection for precise disc control
- 410SS stem standard

Disc:

- Disc edge machined for low friction, tight seal and minimal seat wear.
- Streamlined design for maximum flow
- Machined fit disc/stem
- 316 SS standard

Bearings & Seals:

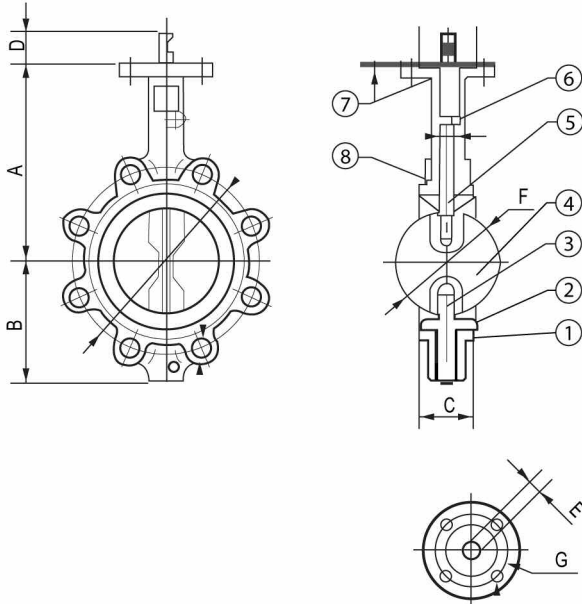
- Low friction nylon stem bearing for side-load support
- Triple seal reduces external leakage
- Upper and lower stem seals

1005 E. Houston, Broken Arrow, OK 74012
Toll Free: 866-204-5229 PH: 918-317-0401
FAX: 918-317-0407

www.wheatleyhvac.com e-mail: sales@globalflowproducts.com

Butterfly Valve (Lug Style)

Dimensional/Weight Data

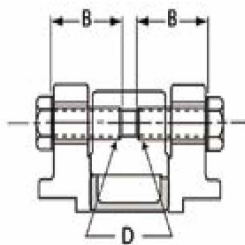


2"-12"

Size	A	B	C	D	E	F	G	Weight	CV
2"	6.34	3.15	1.65	1.20	.35	2.07	1.97	8.38	135
2.5"	6.89	3.50	1.76	1.20	.35	2.54	1.97	9.26	220
3"	7.13	3.74	1.78	1.20	.35	3.10	1.97	10.36	302
4"	7.87	4.49	2.05	1.20	.43	4.10	2.76	19.84	600
5"	8.39	5.00	2.14	1.20	.55	4.86	2.76	24.03	1022
6"	8.90	5.47	2.20	1.77	.55	6.13	2.76	31.31	1579
8"	10.24	6.89	2.39	1.77	.67	7.98	4.02	40.12	3136
10"	11.50	7.99	2.58	1.77	.87	9.87	4.02	59.08	5340
12"	13.27	9.53	3.03	1.77	.87	11.88	4.02	88.18	8250

*For drilled lugs, add .1"

These are approximate dimensions. Please contact factory for certified prints on exact dimensions.



DIM	2"	2.5"	3"	4"	5"	6"	8"	10"	12"
B	1 1/2	1 1/2	1 1/2	1 3/4	1 3/4	2	2	2 1/4	2 1/4
D	5/8	5/8	5/8	5/8	3/4	3/4	3/4	7/8	7/8
	-11UNC	-11UNC	-11UNC	-11UNC	-10UNC	-10UNC	-10UNC	-9UNC	-9UNC

Specifications:

American Wheatley Butterfly Valves are designed for commercial and industrial application up to 225 PSI.

- Standards with EPDM seats (PTFE and BUNA available special order)
- Meets MSS-SP-67 & API 609
- 200 WOG rated
- Maximum 220F operating temperature (225F intermittent)
- Seat to flange seal eliminates the need for flange gaskets
- Designed for direct actuator mounting with ISO 5211 mounting
- Available with 10 position lever handle or gear operator

Flow in Gpm @ 1PSI P @ Various Disc Angles

Size	Full								
	10°	20°	30°	40°	50°	60°	70°	80°	90° Open
2"	0.1	5	12	24	45	64	90	125	135
2.5"	0.2	8	20	37	65	98	144	204	220
3"	0.3	12	22	39	70	116	183	275	302
4"	0.5	17	36	78	139	230	364	546	600
5"	0.8	29	61	133	237	392	620	930	1022
6"	2	45	95	205	366	605	958	1437	1579
8"	3	89	188	408	727	1202	1903	2854	3136
10"	4	151	320	694	1237	2047	3240	4859	5340
12"	5	234	495	1072	1911	3162	5005	7505	8250

Materials of Construction

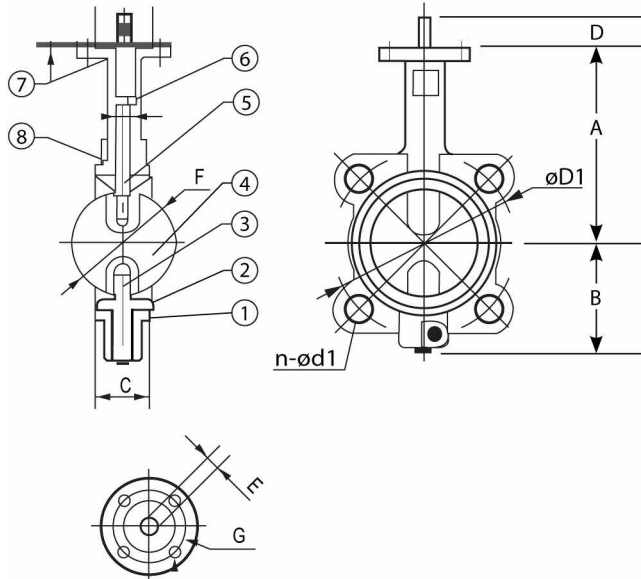
Body	Ductile Iron
Stem	410 Stainless Steel
Discs	316 Stainless Steel
Seats	EPDM Standard Teflon*, Buna*, Viton*

*Optional materials available upon request

Part Name	Material	Temperature F	Temperature C
Seat (Soft Seal)	Buna-N (NBR)	+10 to 180	-12 to 82
	Buna-N, Food Grade	+10 to 180	-12 to 82
	EPDM	-30 to 250	-35 to 121
	EPDM, Food Grade	-30 to 225	-35 to 107
	EPDM, Heat-Resistant	+30 to 300	-2 to 150
	Viton	+10 to 275	-12 to 135
	Viton, High Temp	+10 to 400	-12 to 204
	Neoprene	+20 to 200	-7 to 93
	Hypalon	0 to 275	-18 to 135
	Silicon	-70 to 425	-57 to 218
	PTFE over EPDM	-20 to 250	-29 to 121
	PURE PTFE	-100 to 400	-74 to 204

Butterfly Valve (Wafer Style)

Dimensional/Weight Data



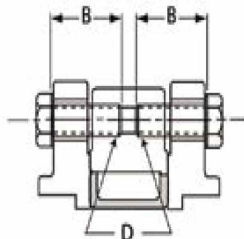
DIAGONAL SQUARE HEAD

2"-12"

Size	A	B	C	D	E	F	G	Weight	CV
2"	6.34	3.15	1.65	1.20	.35	2.07	1.97	8.38	135
2.5"	6.89	3.50	1.76	1.20	.35	2.54	1.97	9.26	220
3"	7.13	3.74	1.78	1.20	.35	3.10	1.97	10.36	302
4"	7.87	4.49	2.05	1.20	.43	4.10	2.76	19.84	600
5"	8.39	5.00	2.14	1.20	.55	4.86	2.76	24.03	1022
6"	8.90	5.47	2.20	1.77	.55	6.13	2.76	31.31	1579
8"	10.24	6.89	2.39	1.77	.67	7.98	4.02	40.12	3136
10"	11.50	7.99	2.58	1.77	.87	9.87	4.02	59.08	5340
12"	13.27	9.53	3.03	1.77	.87	11.88	4.02	88.18	8250

*For drilled lugs, add 1/8"

These are approximate dimensions. Please contact factory for certified prints on exact dimensions.



DIM	2"	2.5"	3"	4"	5"	6"	8"	10"	12"
B	1 1/2	1 1/2	1 1/2	1 3/4	1 3/4	2	2	2 1/4	2 1/4
D	5/8	5/8	5/8	5/8	3/4	3/4	3/4	7/8	7/8
	-11UNC	-11UNC	-11UNC	-11UNC	-10UNC	-10UNC	-10UNC	-9UNC	-9UNC

Specifications:

American Wheatley Butterfly Valves are designed for commercial and industrial application up to 225 PSI.

- Standards with EPDM seats (PTFE and BUNA available special order)
- Meets MSS-SP-67 & API 609
- 200 WOG rated
- Maximum 220F operating temperature (225F intermittent)
- Seat to flange seal eliminates the need for flange gaskets
- Designed for direct actuator mounting with ISO 5211 mounting
- Available with 10 position lever handle or gear operator

Flow in Gpm @ 1PSI P @ Various Disc Angles

Size	Full								
	10°	20°	30°	40°	50°	60°	70°	80°	90° Open
2"	0.1	5	12	24	45	64	90	125	135
2.5"	0.2	8	20	37	65	98	144	204	220
3"	0.3	12	22	39	70	116	183	275	302
4"	0.5	17	36	78	139	230	364	546	600
5"	0.8	29	61	133	237	392	620	930	1022
6"	2	45	95	205	366	605	958	1437	1579
8"	3	89	188	408	727	1202	1903	2854	3136
10"	4	151	320	694	1237	2047	3240	4859	5340
12"	5	234	495	1072	1911	3162	5005	7505	8250

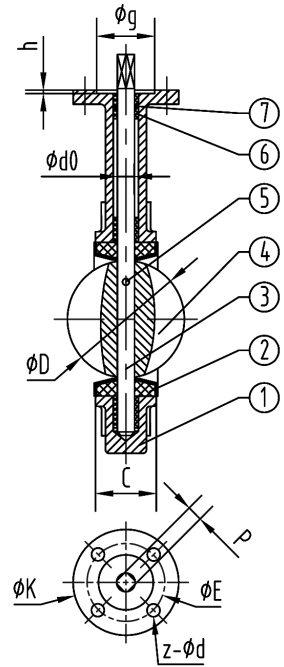
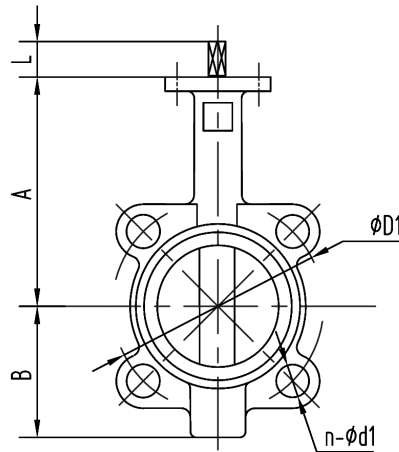
Materials of Construction

Body	Ductile Iron
Stem	410 Stainless Steel
Discs	316 Stainless Steel
Seats	EPDM Standard Teflon*, Buna*, Viton*

*Optional materials available upon request

Part Name	Material	Temperature F	Temperature C
Seat (Soft Seal)	Buna-N (NBR)	+10 to 180	-12 to 82
	Buna-N, Food Grade	+10 to 180	-12 to 82
	EPDM	-30 to 250	-35 to 121
	EPDM, Food Grade	-30 to 225	-35 to 107
	EPDM, Heat-Resistant	+30 to 300	-2 to 150
	Viton	+10 to 275	-12 to 135
	Viton, High Temp	+10 to 400	-12 to 204
	Neoprene	+20 to 200	-7 to 93
	Hypalon	0 to 275	-18 to 135
	Silicon	-70 to 425	-57 to 218
	PTFE over EPDM	-20 to 250	-29 to 121
	PURE PTFE	-100 to 400	-74 to 204

14"-24" Butterfly Valve



Diagonal Square Head

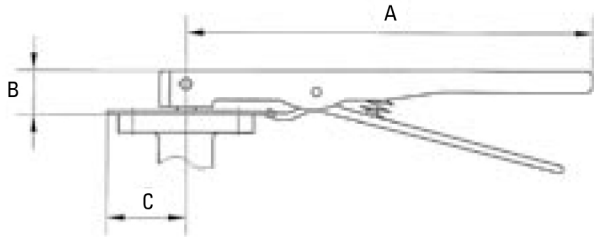
Material Specifications:

No.	Part Name	Materials
1.	Body	Ductile Iron
2	Seat	EPDM Standard
3	Shaft	410 Stainless Steel
4	Disc	ENPDuctile Iron Standard / Stainless Steel Optional
5	Pin	316 Stainless Steel
6	Bushing	PTFE, Bronze
7	O-Ring	NBR, EPDM

Size		Upper Flange											ANSI 150		Weight Torque "# @			
in	DN	A	B	C	D	L	d0	P	ISO5211	K	E	z-d	g	h	D1	n-d1	(LB)	100PSI
14	350	14.5	10.5	3.0	13.1	1.8	1.2	0.87	F10	5.5	4.0	4 - 0.47	2.8	0.14	18.7	12 - 1.1	91.1	11,100
16	400	15.7	12.2	3.4	15.3	2.0	1.3	0.94	F14	7.8	5.5	4 - 0.71	3.9	0.16	21.3	16 - 1.1	134.5	15,099
18	450	16.6	12.9	4.2	17.3	2.0	1.5	1.1	F14	7.8	5.5	4 - 0.71	3.9	0.16	22.8	16 - 1.3	174.2	19,860
20	500	18.9	14.3	5.2	19.4	2.5	1.6	1.4	F14	7.8	5.5	4 - 0.71	3.9	0.16	25.0	20 - 1.3	282.2	26,108
24	600	22.1	17.9	7.6	23.3	2.8	2.0	1.4	F16	10.9	6.5	4 - 0.71	5.1	0.20	29.5	20 - 1.4	414.5	40,135



Lever Handle



Butterfly Operators

10-Position, Lockable Lever Handle Standard on all valves through 10"

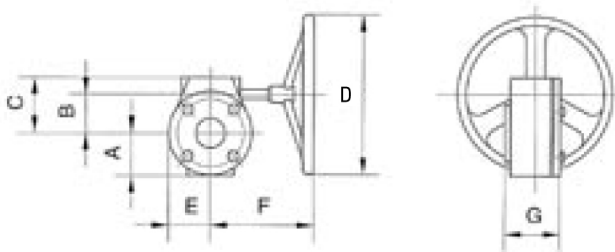
Lever Handles fit American Wheatley Butterfly valves.
Available in sizes 2"-10"

2"-12"

Size	A	B	C	Weight
2"-3"	10.64	1.26	2.05	2.00
4"	10.64	1.26	2.05	2.00
5"-6"	10.64	1.26	2.05	2.00
8"	14.18	1.77	2.96	4.30



Gear Operator



Worm Gear Actuator

Worm gear actuators are designed to directly mount to American Wheatley Butterfly valves. Allows easy operation during high line pressures. Chain wheel assemblies optional.

2"-12"

Size	A	B	C	Weight
2"-3"	10.64	1.26	2.05	2.00
4"	10.64	1.26	2.05	2.00
5"-6"	10.64	1.26	2.05	2.00
8"	14.18	1.77	2.96	4.30
10"-12"	19.70	1.77	2.96	5.84

OPERATING TORQUE (in-lbs) (EPDM/NBR)								
Size	50 PSI		100 PSI		150 PSI		200 PSI	
	Lubricating Service	Non-Lubricating Service	Lubricating Service	Non-Lubricating Service	Lubricating Service	Non-Lubricating Service	Lubricating Service	Non-Lubricating Service
2"	90/102	125/135	103/115	185/198	115/131	191/211	132/145	198/231
2.5"	121/138	185/208	175/186	238/252	185/195	251/275	191/215	287/318
3"	175/187	295/305	223/235	345/356	238/251	351/365	255/285	385/468
4"	243/262	498/518	265/295	525/538	288/305	615/638	353/380	530/695
5"	351/362	752/775	381/395	785/800	438/468	835/858	753/785	998/1015
6"	495/512	1188/1215	527/555	1210/1248	536/595	1215/1260	985/1025	1468/1325
8"	685/712	2010/2150	765/785	2210/2230	781/815	2350/2510	1580/1622	2470/2885
10"	1302/1335	3350/3460	1318/1385	3469/3489	1331/1525	3850/4315	2510/2565	3850/4905
12"	2021/2048	4350/4580	2135/2165	4580/4948	2315/2561	4830/5215	3090/2858	4800/5300
14"	3621/3648	5110/5280	3810/3891	5310/5830	3925/4132	6960/7520	6850/6691	8621/5932
16"	4661/4688	6275/6520	4690/4760	6685/6985	5250/5351	7880/8530	7820/7921	9998/10010
18"	6120/6258	8250/8920	6270/6310	9335/9510	6385/7125	10310/12300	9880/1020	13880/14500
20"	8270/8310	10350/10910	8330/8530	10950/11580	8531/9310	15850/16580	17080/17280	18350/18620
24"	13250/13291	18950/15510	15350/15510	19580/20500	18625/18810	20560/20800	20110/20220	25830/27870

Operating Torque Data Approximate Values (inch pounds)

These seating torque values are for sizing actuators only. Wet (normal) service is where valve seat is lubricated with a clean, non-abrasive line medium. Dry (Gas, Air, Abrasive) service is where valve seat operates under non-lubricated conditions.

Torque values are for ambient temperatures.

Torque values can vary depending upon temperature, pressure, line medium and resilient seat material.