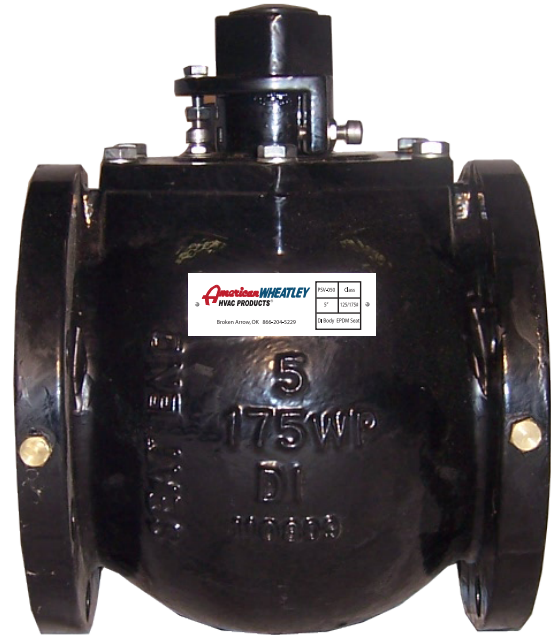


Plug Style Balancing Valve

Features:

- Compact design, quarter turn operation
- Easy to read flow indication plate
- Gear operator standard on 10" and larger models
- Maximum working pressure of 175 psi
- Ideal for HVAC hydronic balancing
- Adjustable memory stop standard on 2 1/2" through 8"
- Schrader style test port connections for balancing
- Maximum working temperature of 250°F



MODEL	SIZE	A	B	C	D	E	F*	WEIGHT
PSV025	2 1/2"	7"	6 3/16"	3 1/2"	11/16"	7 1/2"	-	30 lbs.
PSV030	3"	7 1/2"	6 3/16"	3 3/4"	3/4"	8"	-	40 lbs.
PSV040	4"	9"	7 1/4"	4 1/2"	15/16"	9"	-	70 lbs.
PSV050	5"	10"	8 3/8"	5 3/4"	15/16"	10"	-	105 lbs.
PSV060	6"	11"	8 3/8"	5 3/4"	1"	10 1/2"	-	115 lbs.
PSV080	8"	13 1/2"	10 11/16"	7 5/8"	1 1/8"	11 1/2"	-	190 lbs.
PSV080WG	8"	13 1/2"	10 11/16"	7 5/8"	1 1/8"	11 1/2"	12"	245 lbs.**
PSV100WG	10"	16"	11 1/8"	8 7/8"	1 3/16"	13"	12"	345 lbs.**
PSV120WG	12"	19"	12 13/16"	10"	1 1/4"	14"	12"	440 lbs.**
PSV140WG	14"	21"	14 9/16"	13"	1 3/8"	17"	18"	905 lbs.**
PSV160WG	16"	23 1/2"	15 13/16"	14"	1 7/16"	17 3/4"	18"	1,030 lbs.**
PSV180WG	18"	25"	16 23/64"	15"	1 9/16"	21 1/2"	18"	1,355 lbs.**
PSV200WG	20"	27 1/2"	17 5/8"	16"	1 1/16"	23 1/2"	18"	1,880 lbs.**
PSV240WG	24"	32"	25 1/8"	21 5/8"	1 7/8"	42"	24"	3,800 lbs.**

*10" and above come standard with gear.

**Weight includes gear

Dimensions are subject to change without notice, Please confirm actual dimensions with factory at time of order.

JOB NAME _____
LOCATION _____

CONTRACTOR _____
CONTRACTOR P.O. NO. _____

ITEMS	QUANTITY
_____	_____
_____	_____
_____	_____
_____	_____
_____	_____

American WHEATLEY
HVAC PRODUCTS®
A GFP COMPANY
1005 E. Houston
Broken Arrow, OK 74012
Toll Free: 866-204-5229
PH: 918-317-0401
FAX: 918-317-0407
www.wheatleyhvac.com
e-mail: sales@globalflowproducts.com

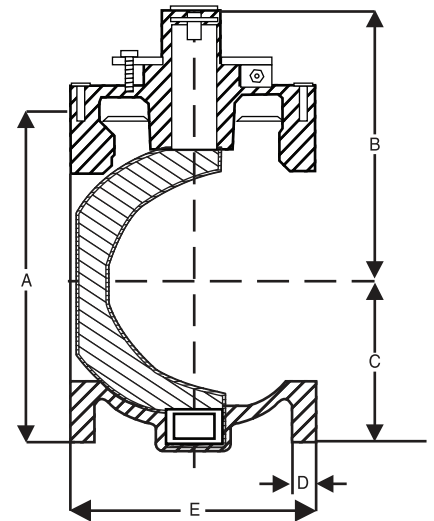
Bill of Materials

Part	Material
Body	65-45-12 Ductile Iron
Plug	DI-Vulcanized Rubber
Bearings	Stainless Steel
Packing	EPDM
Cap	Cast Iron A126
Torque Collar	Ductile Iron ASTM A536
Journal Bearing	Stainless Steel ANSI 316
PTFE Washer (Grit Seal)	PTFE
O Ring	Elas. as Specified
U Cup Seal	Elas. as Specified
Washer	Brass ASTM B-138-675
Internal Snap Ring	Spring Steel
Set Screw	Steel (Zinc Plated)
Stops	Steel (Zinc Plated)
Locking Washer	Steel
Nut	Steel (Zinc Plated)
Torque Bolt	Steel (Zinc Plated)
Travel Stop	Steel
Washer	Steel

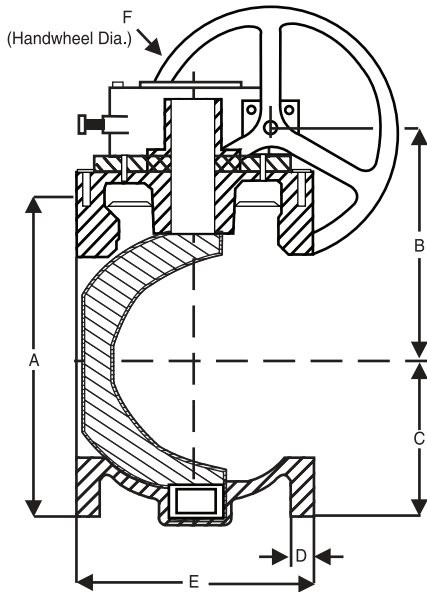
C_v Chart

Value Size	C Values - Wide Open (Flow in GPM of Water at 1 psi pressure drop)
2 1/2"	236
3"	330
4"	560
5"	1180
6"	1180
8"	2030
10"	3130
12"	4140

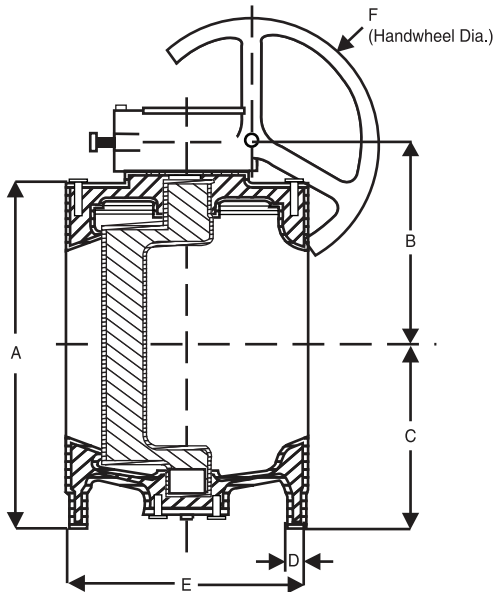
2 1/2" - 8"



2 1/2 - 12"



14" - 20"



24"

