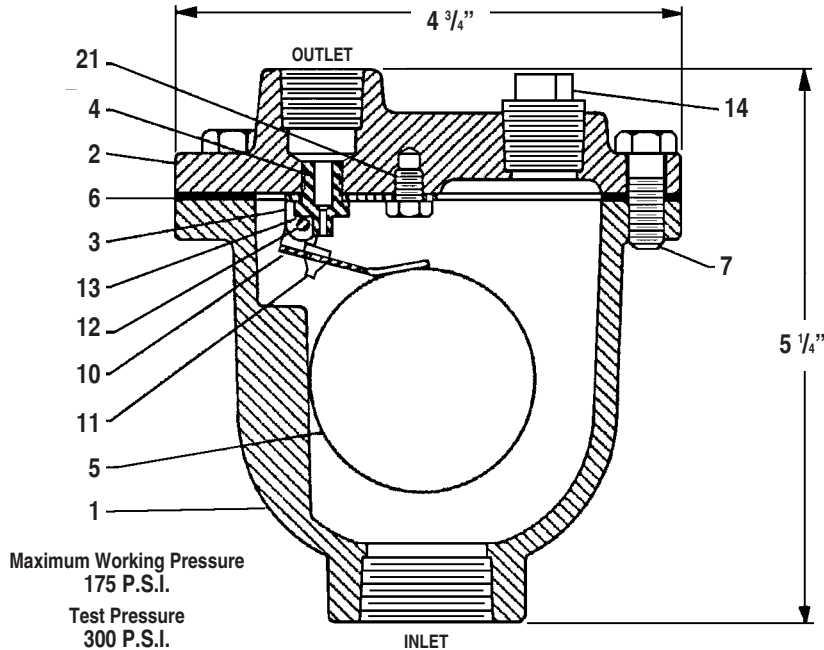


# High Capacity Air Release Valve



## Dimensions

Model No.	Valve Size	Inlet Size	Outlet Size	Orifice Size
ARV0050	1/2"	1/2" NPT	1/2" NPT	1/16"
ARV0075	3/4"	3/4" NPT	1/2" NPT	1/16"
ARV0100	1"	1" NPT	1/2" NPT	1/16"

## Bill of Materials

Part No.	Part Name	Material
1	Body	Cast Iron ASTM A126, Class B
2	Cover	Cast Iron ASTM A126, Class B
3	Lever Frame	Stainless Steel T304, ASTM A240
4	Seat	Stainless Steel T303, ASTM A276
5	Float	Stainless Steel T304, ASTM A240
6	Gasket	Garlock #3000 (Non-asbestos)
7	Cover Bolt	Alloy Steel SAE Grade 5
10	Float Arm	Stainless Steel T304, ASTM A240
11	Orifice Button	Viton
12	Pivot Pin	Stainless Steel T303, ASTM A276
13	Pin Retainer	Stainless Steel PH 15-7 MO
14	Pipe Plug	Malleable Iron
21	Locator	Stainless Steel T18-8, ASTM A276

Dimensions are subject to change without notice, please confirm actual dimensions with factory at time of order.

JOB NAME \_\_\_\_\_  
 LOCATION \_\_\_\_\_  
 \_\_\_\_\_  
 CONTRACTOR \_\_\_\_\_  
 CONTRACTOR P.O. NO. \_\_\_\_\_

ITEMS	QUANTITY
_____	_____
_____	_____
_____	_____
_____	_____
_____	_____
_____	_____



1005 E. Houston  
 Broken Arrow, OK 74012  
 Toll Free: 866-204-5229  
 PH: 918-317-0401  
 FAX: 918-317-0407  
 www.wheatleyhvac.com  
 e-mail: sales@globalflowproducts.com