

Brass Ball Valve

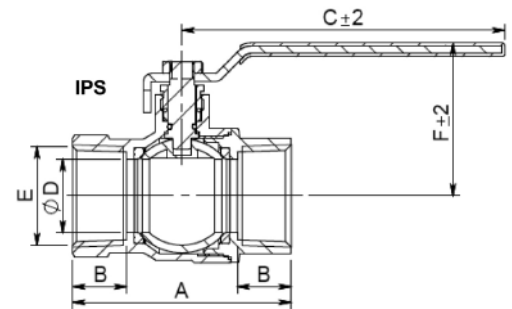
Features:

- Full Port
- Forged Brass
- Two Piece Body
- Blow-out Proof Stem
- Chrome Plated Solid Brass Ball
- Threaded Ends comply per ANSI B2.1
- Compliant to MSS-SP-110
- 1/4" - 4" Rated 600 psi non-stock CWP -150 psi SWP
- CSA Gas approved 2" (IPS only)
- Steam, water, oil, gas and air applications for commercial and light industrial application usage



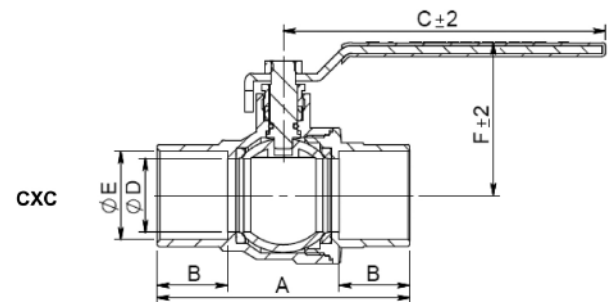
NPT sizes 1/4" through 1 1/2"

MODEL	SIZE	A	B	C	D	E	F
759T001	1/4"	1.73	0.45	3.07	Ø 0.39	18 NPT	1.44
759T002	3/8"	1.73	0.45	3.07	Ø 0.39	18 NPT	1.44
759T003	1/2"	3.05	0.55	3.07	Ø 0.51	14 NPT	1.54
759T004	3/4"	2.30	0.57	4.14	Ø 0.71	14 NPT	1.78
759T005	1"	2.80	0.69	4.14	Ø 0.95	11.5 NPT	1.96
759T006	1 1/4"	3.15	0.69	4.93	Ø 1.20	11.5 NPT	2.49
7495007	1 1/2"	3.51	0.71	4.93	Ø 1.46	11.5NPT	2.67



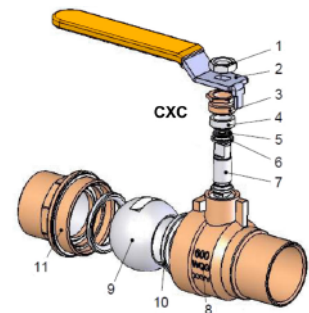
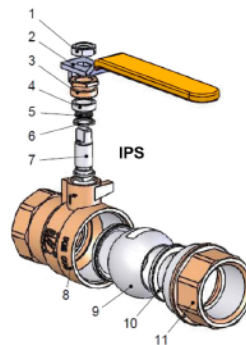
Sweat End sizes 1/4" through 1 1/2"

MODEL	SIZE	A	B	C	D	E	F
759C003	1/2"	1.97	0.49	3.07	Ø 0.51	Ø 0.63	1.54
759C004	3/4"	2.71	0.75	4.14	Ø 0.71	Ø 0.88	1.78
759C005	1"	3.25	0.91	4.14	Ø 0.95	Ø 1.13	1.96
759C006	1 1/4"	3.62	0.93	4.93	Ø 1.2	Ø 1.38	2.49
759C007	1 1/2"	4.29	1.10	4.93	Ø 1.46	Ø 1.63	2.67



MATERIALS OF CONSTRUCTION

1 Hex Nut	Steel
2 Handle	Steel
3 Packing Nut	Brass
4 Pacing Gland	PTFE
5 O-Ring	EPDM
6 Washer	PTFE
7 Stem	Brass C36000
8 Bonnet	Brass C37700
9 Ball	Brass
10 Seat	PTFE
11 Body	Brass C37700



Dimensions are subject to change without notice, please confirm actual dimensions with factory at time of order.

JOB NAME _____
 LOCATION _____

 CONTRACTOR _____
 CONTRACTOR P.O. NO. _____

ITEMS QUANTITY

American WHEATLEY
HVAC PRODUCTS®

1005 E. Houston
 Broken Arrow, OK 74012
 Toll Free: 866-204-5229
 PH: 918-317-0401
 FAX: 918-317-0407

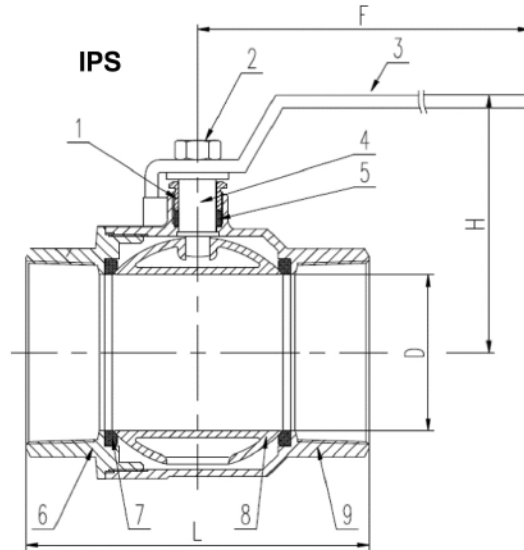
www.wheatleyhvac.com
 e-mail: sales@globalflowproducts.com

NPT sizes 2" through 4"

MODEL	SIZE	L	D	H	F
759T008	2"	4.41	Ø 1.97	3.27	5.52
759T009	2 1/2"	5.99	Ø 2.56	4.59	9.06
759T010	3"	6.50	Ø 2.96	4.87	9.06
759T011	4"	7.76	Ø 3.90	5.57	10.1

MATERIALS OF CONSTRUCTION

1 Gland Nut	Brass
2 Hex Nut	Steel
3 Handle	Steel
4 Stem	Brass
5 StemPacking	PTFE
6 End Cap	Brass
7 Seat	PTFE
8 Ball	C.P. Brass
9 Body	Brass



Dimensions are subject to change without notice, please confirm actual dimensions with factory at time of order.

JOB NAME _____
LOCATION _____

CONTRACTOR _____
CONTRACTOR P.O. NO. _____

ITEMS	QUANTITY
_____	_____
_____	_____
_____	_____
_____	_____
_____	_____

American WHEATLEY
HVAC PRODUCTS®
1005 E. Houston
Broken Arrow, OK 74012
Toll Free: 866-204-5229
PH: 918-317-0401
FAX: 918-317-0407
www.wheatleyhvac.com
e-mail: sales@globalflowproducts.com