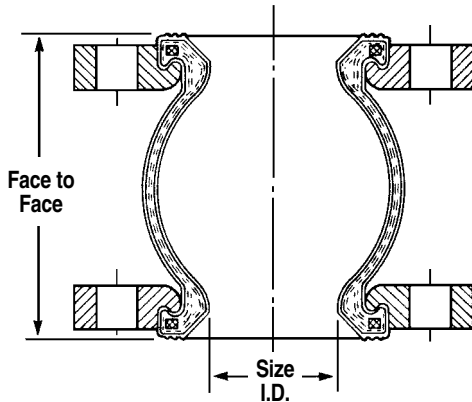


Single Sphere Elastomer Pump Connector



Features:

- Reduces vibration and noise in piping system
- Streamlined, flowing arches reduce turbulence, sediment build-up and the effects of thrust on the piping
- Controls thermal movement, pulsation, misalignment and electrolysis
- Under pressure, spherical shape is up to four times stronger than a cylindrical joint
- Spherical shape requires half the amount of space of cylindrical joint, and at the same time is about one-third of the weight of a cylindrical
- Standard construction of EPDM with a hard steel wire frame and nylon cord lining

Dimensions are subject to change without notice, please confirm actual dimensions with factory at time of order.

Dimensions:

| Model No. | Joint Size I.D. | Face to Face | Pressure/Vacuum | | Temperature (°F) | | Movement Capability | | | | |
|-----------|-----------------|--------------|-----------------|-------------------|------------------|------|---------------------|--------|----------------|------------|------------|
| | | | (psig) | Bursting Pressure | Min. | Max. | Comp. | Elong. | Lateral (±in.) | Deflection | Wt. (lbs.) |
| SSP0150 | 1 1/2" | 6" | 227 | 680 | 14 | 240 | 1/2" | 3/8" | 1/2 | 15° | 7.0 |
| SSP0200 | 2" | 6" | 227 | 680 | 14 | 240 | 1/2" | 3/8" | 1/2 | 15° | 8.8 |
| SSP0250 | 2 1/2" | 6" | 227 | 680 | 14 | 240 | 1/2" | 3/8" | 1/2 | 15° | 12.5 |
| SSP0300 | 3" | 6" | 227 | 680 | 14 | 240 | 1/2" | 3/8" | 1/2 | 15° | 14.0 |
| SSP0400 | 4" | 6" | 227 | 680 | 14 | 240 | 5/8" | 3/8" | 1/2 | 15° | 18.0 |
| SSP0500 | 5" | 6" | 227 | 680 | 14 | 240 | 5/8" | 3/8" | 1/2 | 15° | 22.5 |
| SSP0600 | 6" | 6" | 227 | 680 | 14 | 240 | 5/8" | 3/8" | 1/2 | 15° | 26.8 |
| SSP0800 | 8" | 6" | 227 | 680 | 14 | 240 | 5/8" | 3/8" | 1/2 | 15° | 37.8 |
| SSP1000 | 10" | 8" | 227 | 680 | 14 | 240 | 3/4" | 1/2" | 3/4 | 15° | 55.5 |
| SSP1200 | 12" | 8" | 227 | 680 | 14 | 240 | 3/4" | 1/2" | 3/4 | 15° | 83.0 |
| SSP1400 | 14" | 8" | 227 | 680 | 14 | 240 | 3/4" | 1/2" | 3/4 | 15° | 100.0 |
| SSP1600 | 16" | 8" | 227 | 680 | 14 | 240 | 3/4" | 1/2" | 3/4 | 15° | 120.0 |
| SSP1800 | 18" | 8" | 227 | 680 | 14 | 240 | 3/4" | 1/2" | 3/4 | 15° | 140.0 |
| SSP2000 | 20" | 8" | 142 | 426 | 14 | 240 | 3/4" | 1/2" | 3/4 | 15° | 170.0 |
| SSP2400 | 24" | 10" | 142 | 426 | 14 | 240 | 3/4" | 1/2" | 3/4 | 15° | 255.0 |

JOB NAME _____
 LOCATION _____

 CONTRACTOR _____
 CONTRACTOR P.O. NO. _____

| ITEMS | QUANTITY |
|-------|----------|
| _____ | _____ |
| _____ | _____ |
| _____ | _____ |
| _____ | _____ |
| _____ | _____ |



1005 E. Houston
 Broken Arrow, OK 74012
 Toll Free: 866-204-5229
 PH: 918-317-0401
 FAX: 918-317-0407
 www.wheatleyhvac.com
 e-mail: sales@globalflowproducts.com