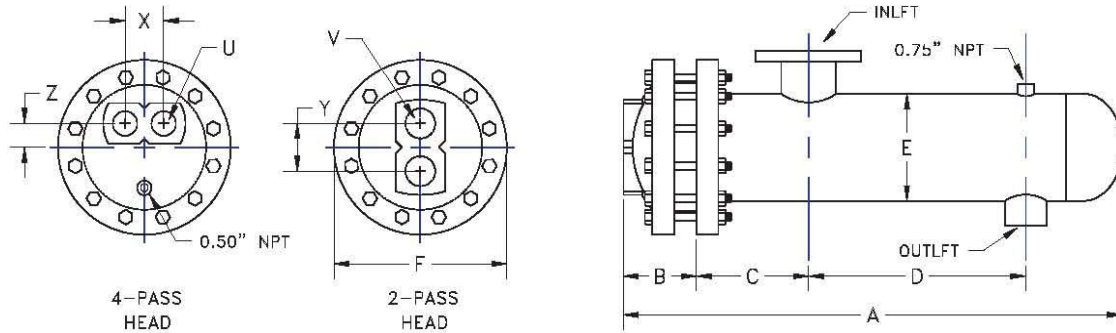


SUBMITTAL DATA

16" DIA. STEAM TO WATER
U-TUBE HEAT EXCHANGER



Model No.	HEAT EXCHANGER								2 PASS			4 PASS			
	A	B	C	D	E	F	INLET	OUTLET	Y	V	SQ. FT.	X	Z	U	SQ. FT.
S1636(*)A	52.87	5.75	11.00	24.00	16.00	23.50	6" FLG	2" NPT	9.00	6" NPT	115	8.00	4.00	4" NPT	111
S1648(*)A	64.87			36.00							155				148
S1660(*)A	76.87			48.00							194				186
S1672(*)A	88.87			60.00							233				223
S1684(*)A	100.87			72.00			272	261							
S1696(*)A	112.87			84.00			311	298							
S16108(*)A	124.87			96.00			352	336							
S16120(*)A	136.87			108.00			389	373							

(*) INSERT NUMBER OF PASSES

DESIGNED & CONSTRUCTED PER ASME SECT VIII DIV 1

MATERIALS OF CONSTRUCTION

PART	STANDARD	OPTIONAL
HEAD	CAST IRON	** FAB C.S. OR S.S.
SHELL	STEEL	S.S.
TUBE SHEET	STEEL	BRASS*** OR S.S.
TUBING	3/4" OD 20 ga Copper	18 ga. Copper, 304 S.S., 316 S.S. 90/10 CU/NI, OR 16 Ga. C.S.
CAGE MATERIAL	STEEL	BRASS OR S.S.
BAFFLES	STEEL	BRASS OR S.S.

** NOT SHOWN ON THIS SHEET

MAXIMUM OPERATING CONDITIONS

	HEAD STYLE	
	CAST IRON	FABRICATED ** C.S. OR S.S.
TUBE SIDE WORKING PRESSURE	125 PSI	150 PSI
SHELL SIDE WORKING PRESSURE	150 PSI	150 PSI
HYDROSTATIC TEST PRESSURE TUBE SIDE	250 PSI	300 PSI
HYDROSTATIC TEST PRESSURE SHELL SIDE	195 PSI	195 PSI
MAXIMUM TEMPERATURE TUBE SIDE***	375°F	375°F
MAXIMUM TEMPERATURE SHELL SIDE***	375°F	375°F

***DERATE TO 300°F WITH BRASS TUBESHEET

Job Name _____
 Location _____
 Engineer _____
 Architect _____
 Sales Rep. _____
 Contractor _____

Model Number _____
 Steam Pressure _____
 Ent. Temp. _____ Leav. Temp. _____
 Tube Side Flow _____ Liquid _____
 Fouling Factor _____ Sq. Ft. _____
 Tube Side Pressure Drop _____ Ft. Velocity _____ Ft/Sec _____