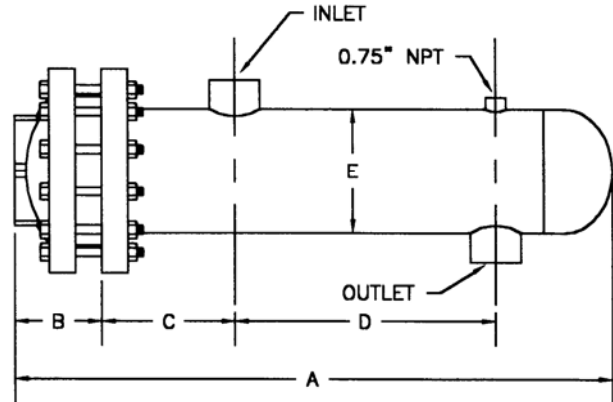
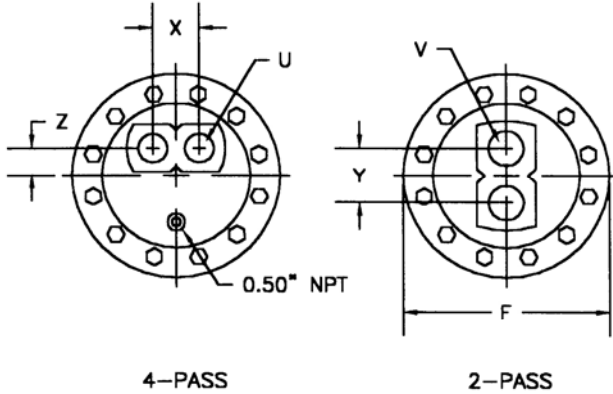


SUBMITTAL DATA

10" DIA. WATER TO WATER

U-TUBE HEAT EXCHANGER



MODEL NO.	HEAT EXCHANGER							2 PASS		4 PASS					
	A	B	C	D	E	F	INLET	OUTLET	Y	V	SQ. FT.	X	Z	U	SQ. FT.
W1024(*)A	32.38	4.00	10.00	8.75	10.75	16.00	3" NPT	3" NPT	5.88	4"*** NPT	27.1	4.50	2.12	3" NPT	24.8
W1036(*)A	44.38			20.75							42.3				39.9
W1048(*)A	56.38			32.75							57.5				54.3
W1060(*)A	68.38			44.75							72.7				68.7
W1072(*)A	80.38			56.75							87.8				83.0
W1084(*)A	92.38			68.75							106.0				97.4
W1096(*)A	104.38			80.75							118.2				111.8
W10108(*)A	116.38			92.75							133.3				126.1
W10120(*)A	128.38			104.75							148.5				140.5

(*) INSERT NUMBER OF PASSES.

** 4" NPT @ 125 PSI TUBE SIDE WORKING PRESSURE STANDARD.
3" NPT @ 150 PSI TUBE SIDE WORKING PRESSURE OPTIONAL.

DESIGNED & CONSTRUCTED PER ASME SECT VIII DIV 1

MATERIALS OF CONSTRUCTION

PART	MATERIAL
HEAD	CAST IRON
SHELL	STEEL
TUBE SHEET	STEEL
TUBING	3/4" O.D. COPPER
BAFFLES	STEEL
CAGE MATERIAL	STEEL

MAXIMUM OPERATING CONDITIONS

	2-PASS 4" NPT	2-PASS 3" NPT	4-PASS 3" NPT
TUBE SIDE WORKING PRESSURE	125 PSI	150 PSI	150 PSI
SHELL SIDE WORKING PRESSURE	150 PSI	150 PSI	150 PSI
HYDROSTATIC TEST PRESSURE TUBE SIDE	250 PSI	300 PSI	300 PSI
HYDROSTATIC TEST PRESSURE SHELL SIDE	225 PSI	225 PSI	225 PSI
MAXIMUM TEMPERATURE TUBE SIDE	375°F	375°F	375°F
MAXIMUM TEMPERATURE SHELL SIDE	375°F	375°F	375°F

JOB NAME _____
 LOCATION _____
 ENGINEER _____
 CONTRACTOR _____
 SALES REP. _____

MODEL NO. ORDERED

	TUBE SIDE	SHELL SIDE
FLOW (GPM)		
ENT TEMP.		
LEAV TEMP		
FOULING FACTOR		