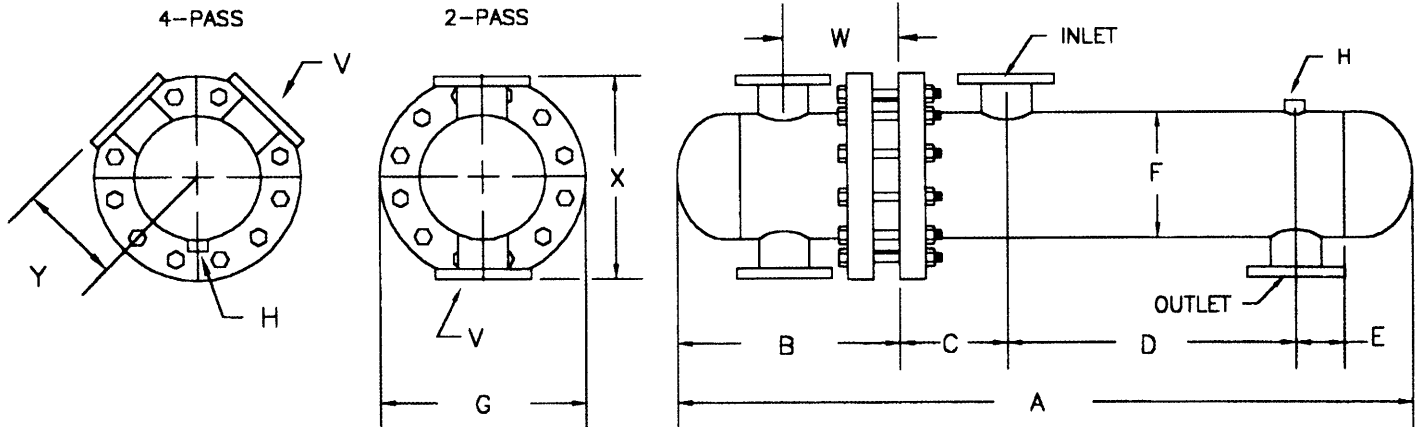


American WHEATLEY HVAC PRODUCTS

SUBMITTAL DATA

22" DIA. 150 PSI
WATER TO WATER
U-TUBE HEAT EXCHANGER



MODEL NO.	HEAT EXCHANGER									2 PASS				4 PASS				
	A	B	C	D	E	F	G	H	INLET	OUTLET	W	V	X	SQ. FT.	W	V	Y	SQ. FT.
W2248(*)A	87.56			30										305				296
W2260(*)A	99.56			42										386				374
W2272(*)A	111.56			54										467				453
W2284(*)A	123.56	27.75	14	66	B	22	29.50	0.75	10" FLG	10" FLG	14.62	10" FLG	34	548	14.62	6" FLG	16.56	532
W2296(*)A	135.56			78					NPT					629				610
W22108(*)A	147.56			90										710				689
W22120(*)A	159.56			102										794				770

(*) INSERT NUMBER OF PASSES.

MATERIALS OF CONSTRUCTION

PART	MATERIAL
HEAD	STEEL
SHELL	STEEL
TUBE SHEET	STEEL
TUBING	3/4" O.D. COPPER 20 GA.
BAFFLES	STEEL
CAGE MATERIAL	STEEL

DESIGNED & CONSTRUCTED PER ASME SECT VIII DIV 1

MAXIMUM OPERATING CONDITIONS

TUBE SIDE WORKING PRESSURE	150 PSI
SHELL SIDE WORKING PRESSURE	150 PSI
HYDROSTATIC TEST PRESSURE TUBE SIDE	225 PSI
HYDROSTATIC TEST PRESSURE SHELL SIDE	225 PSI
MAXIMUM TEMPERATURE	375 DEG F

JOB NAME _____
 LOCATION _____
 ENGINEER _____
 CONTRACTOR _____
 SALES REP. _____

MODEL NO. ORDERED

	TUBE SIDE	SHELL SIDE
FLOW (GPM)		
ENT TEMP.		
LEAV TEMP		
FOULING FACTOR		