

## Did you know.....

That American Wheatley offers two types of balance valves, both Globe and Plug style.

**GS Series-** Globe style balance valves, brass body, NPT 1/2" through 2", sweat 1/2" & 3/4", and cast iron flanged, 2-1/2" through 12".

**PSV Series-** Plug style, cast iron flanged, in sizes 2-1/2" - 12".

The GS and PSV series are readily available from stock.

- Available threaded, sweat, or flanged
  - 100% positive shut-off
  - P/T plugs standard
  - Memory lock function standard
- 
- Globe style: 1/2"-2" max 290psi@250F  
2-1/2"-12" max 175psi@250F
  - Pre-balancing capability
  - Multi-turn for higher accuracy
- 
- Plug style: 2-1/2"-12" max 175psi@250F
  - Grooved end available on 3" and above
  - Compact design, quarter turn operation
-

# Globe Style Flow Regulating Valve for Circuit Balancing

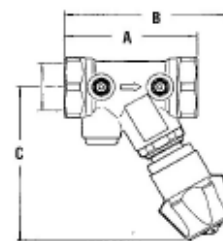
## Features:

- Globe-style design for precise balancing and low pressure drop
- Hidden memory stop protects precise balancing setting during on/off operation
- Pressure Drop Diagrams available for all sizes—consult factory
- Pre-balancing capability saves time
- Positive shut-off
- Optional differential pressure meter available

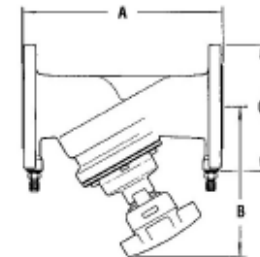


## Construction & Performance Data:

Size	1/2", 3/4"	1" thru 2"	2 1/2" thru 6"
Connection	Sweat	Threaded NPT	Flanged
Max. Working Press.	225 PSI		
Max. Operating Temp.	240°F		
Body Material	Anti-corrosive Alloy Body		Cast Iron
360 Turns	10 turns open to close		



Sweat and NPT Models



Flanged Model

## Dimensions:

Model Number	Connection	A	B	C	Wt. (lbs.)
GS0050	1/2" NPT	3 1/2"	4 1/2"	4"	1.5
GS0075	3/4" NPT	3 1/2"	4 1/2"	4"	1.75
GS0100	1" NPT	4"	4 1/2"	4"	2.25
GS0125	1 1/4" NPT	4 1/2"	5"	4"	3
GS0150	1 1/2" NPT	5 1/2"	5 1/2"	4 1/2"	4
GS0200	2" NPT	6"	5 1/2"	4 1/2"	6
GS0250	2 1/2" FLG	11 1/2"	8 1/2"	7 1/2"	31
GS0300	3" FLG	12 1/2"	9 1/2"	7 1/2"	44
GS0400	4" FLG	13 1/2"	10 1/2"	8 1/2"	57
GS0500	5" FLG	15 1/2"	11 1/2"	9 1/2"	88
GS0600	6" FLG	18 1/2"	11 1/2"	11 1/2"	110
GS0800	8" FLG	25 1/2"	18 1/2"	13 1/2"	285
GS1000	10" FLG	28 1/2"	18 1/2"	15 1/2"	390
GS1200	12" FLG	33 1/2"	20 1/2"	19 1/2"	550

Dimensions are subject to change without notice, please confirm actual dimensions with factory at time of order.

JOB NAME _____
LOCATION _____
CONTRACTOR _____
CONTRACTOR P.O. NO. _____

ITEMS	QUANTITY
_____	_____
_____	_____
_____	_____
_____	_____



1005 E. Houston  
Broken Arrow, OK 74012  
Toll Free: 866-204-5229  
PH: 918-317-0401  
FAX: 918-317-0407  
www.wheatleyhvac.com  
e-mail: sales@globalflowproducts.com

# Plug Style Balancing Valve



## Features:

- Compact design, quarter turn operation
- Easy to read flow indication plate
- Gear operator handwheel standard on 10" and 12" models
- Lever standard on 2 1/2" and 3"
- Maximum working pressure of 175 psi
- Ideal for HVAC hydronic balancing
- Adjustable memory stop standard on 2 1/2" through 8"
- Schrader style test port connections for balancing
- Maximum working temperature of 250°F

## Options:

- Gear operator lever available on 4" through 8" models (must be ordered separately)
- 2 1/2" through 4" available with NPT connections
- Grooved connections available

## C<sub>v</sub> Chart

Valve Size	C Values—Wide Open (Flow in GPM of Water at 1 psi pressure drop)
2 1/2"	236
3"	330
4"	560
5"	1180
6"	1180
8"	2030
10"	3130
12"	4140

## Bill of Materials:

Part	Material
Body	Cast Iron
Plug Seal	Isobutene-Isoprene
Bearings	Stainless Steel
Packing	Buna

Dimensions are subject to change without notice, please confirm actual dimensions with factory at time of order.

JOB NAME _____
LOCATION _____
CONTRACTOR _____
CONTRACTOR P.O. NO. _____

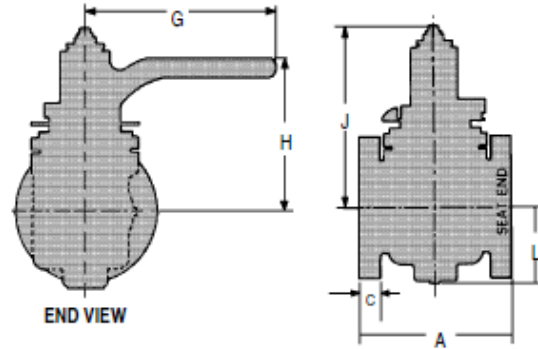
ITEMS	QUANTITY
_____	_____
_____	_____
_____	_____
_____	_____



1005 E. Houston  
Broken Arrow, OK 74012  
Toll Free: 866-204-5229  
PH: 918-317-0401  
FAX: 918-317-0407  
www.wheatleyhvac.com  
e-mail: sales@globalflowproducts.com

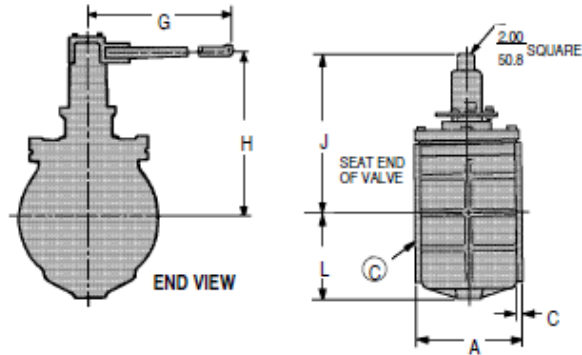
**2 1/2" and 3" Valve Dimensional Data**

Size	2 1/2"	3"
A	7 1/2"	8"
C	7/10"	3/4"
G	7 1/2"	9"
H	5 7/10"	6 2/5"
J	7"	7 3/4"
L	3 3/25"	3 22/25"
WT.	29 lbs.	42 lbs.



**4" through 8" Valve Dimensional Data**

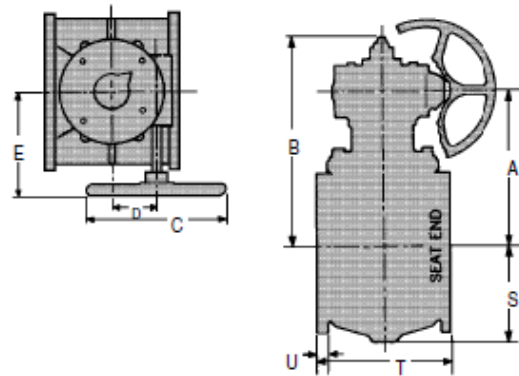
Size	4"	5" and 6"	8"
A	9"	10 1/2"	11 1/2"
C	7/10"	3/4"	4/5"
G	14 3/4"	32 3/4"	43 1/4"
H	9 1/4"	12 22/25"	14 11/25"
J	10 1/5"	13 4/5"	15 2/5"
L	5 2/5"	6 1/2"	8 1/4"
Wt.	65 lbs	110 lbs	171 lbs.



Please note: The "G" dimension (lever length) is based on a pressure drop of 25 psi for the 4" valve, and 100 psi for the 5" through 8" valves. For lever lengths with different pressure drops, consult factory.

**10" and 12" Valve Dimensional Data**

Size	10"	12"
A	15 3/25"	16 3/4"
B	19 22/25"	21 1/2"
C	8"	12"
D	3 3/4"	7"
E	11 3/25"	17 22/25"
S	9 22/25"	11 3/5"
T	13"	14"
U	22/25"	41/50"
Wt.	250 lbs.	390 lbs.



Dimensions are subject to change without notice, please confirm actual dimensions with factory at time of order.

## PORATBLE METER KITS W820 & W821



Model W820

### Model W820

- Readout meter of 2 1/2" diameter
- Plastic carrying case
- Two 5-foot hoses
- ± 2% to 3% full scale accuracy
- Dial range of 0-60' water
- 12 lb. shipping weight



Model W821

### Model W821

- Dual readout meter
- Two 2 1/2" dials
- Plastic carrying case
- ± 2% to 3% full scale accuracy
- Two 5-foot hoses
- 14 lb. shipping weight

## CROSS REFERENCE

This cross reference for function only and does not indicate direct replacement

WHEATLEY	ARMSTRONG	TACO	B & G
GS-050 NPT	CBV050VT	ACUF050AT	CB-1/2
GS-050 SWT	CBV050VS	ACUF050AC	CB-1/2S
GS-075 NPT	CBV075VT	ACUF075AT	CB-3/4
GS-075 SWT	CBV075VS	ACUF075AC	CB-3/4S
GS-100	CBV100VT	ACUF100AT	CB-1
GS-125	CBV125VT	ACUF125AT	CB-1-1/4
GS-150	CBV150VT	MPV015	CB-1-1/2
GS-200	CBV100VT	MPV020	CB-2
GS-250	CBV250FS	MPV025	CB-2-1/2F
GS-300	CBV300FS	MPV030	CB-3F
GS-400	CBV400FS	MPV040	CB-4F
GS-500	CBV500FS	MPV050	CB-5F
GS-600	CBV600FS	MPV060	CB-6F
GS-800	CBV800FS	MPV080	CB-8F

Larger sizes available