

Vertical Flash Tank

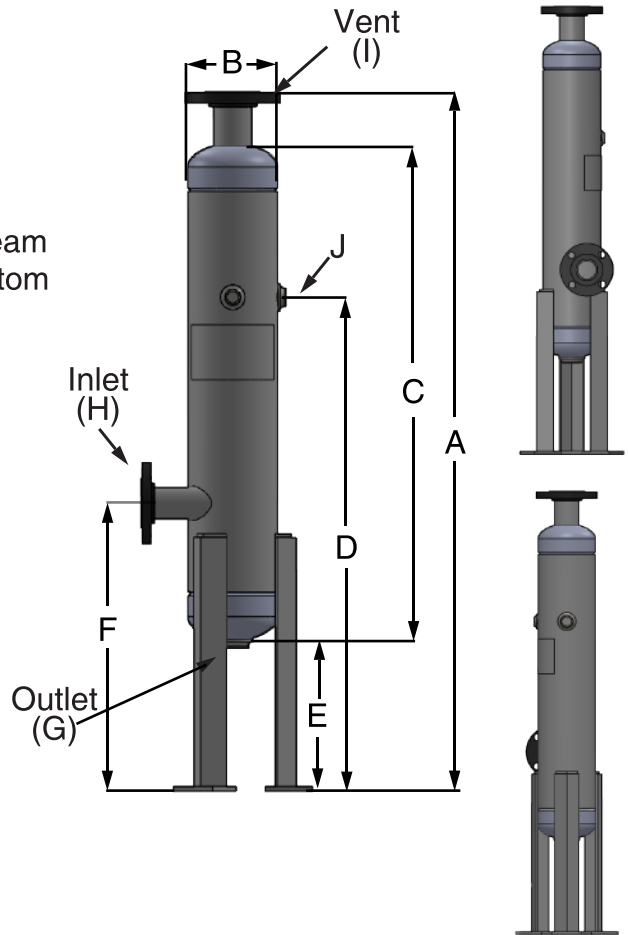
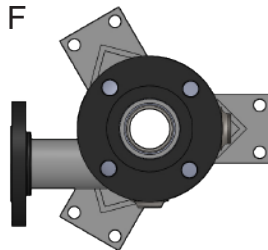
Designed for flashing of high pressure condensate into steam and low pressure heating supply mains. Orientation of vertical design allows for a smaller footprint where needed. As the high pressure condensate moves from the top of the tank to the bottom, some of the flash steam is re-evaporated through the steam trap and released. The remaining condensate is separated from the remaining flash steam and is then drained through the steam trap at the bottom of the vessel. These reduce steam pressure prior to returning to either condensate tanks, boilers, or discharge into sewer mains.

Features:

- Constructed in accordance with ASME Section VIII, Division I, Latest Edition
- Carbon Steel Construction
- Working Pressure 150 PSI
- Maximum Temperature 450° F
- Red Oxide Primer

Optional Features:

- Exterior Coatings



All packaging materials, thread protectors, plastic plugs and caps must be removed before installation. Dimensions are subject to change without notice, please confirm actual dimensions with factory at time of order.

PART NUMBER	HEIGHT A (IN.)	DIAMETER		D (IN.)	E (IN.)	F (IN.)	NPT OPENINGS				WEIGHT (LBS)
		B (IN.)	C (IN.)				G (IN.)	H (IN.)	I (IN.)	J (IN.)	
FT-006-VRT	51	6	36	36	9 1/2	21	1 1/2	2	2 1/2	3/4	78
FT-008-VRT	52	8	36	36	9 1/2	21	1 1/2	3	4	1	110
FT-012-VRT	55 3/8	12	40	40	9 1/2	23	2	4	6	1 1/2	167
FT-016-VRT	63 1/2	16	48	48	9 1/2	26	2	6	6	2	220

JOB NAME _____
 LOCATION _____

 CONTRACTOR _____
 CONTRACTOR P.O. NO. _____

ITEMS	QUANTITY
_____	_____
_____	_____
_____	_____
_____	_____
_____	_____

American WHEATLEY
HVAC PRODUCTS®
A GFP COMPANY

2701 W. Concord Street
 Broken Arrow, OK 74012
 Toll Free: 866-204-5229
 PH: 918-317-0401
 FAX: 918-317-0407
 www.wheatleyhvac.com
 e-mail: sales@globalflowproducts.com