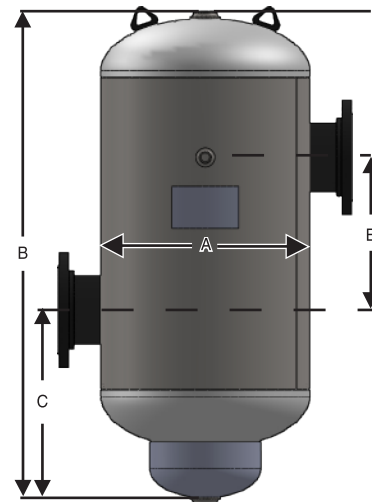
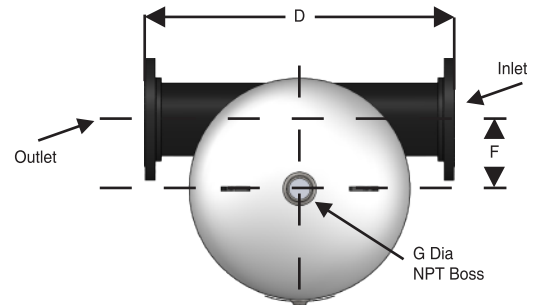


Sediment Removal Separator

The Sediment Removal Separator is designed to remove undissolved sediment and entrained air from cooling towers, along with hot and chilled hydronic installations. The Tangential design optimizes sediment removal with its vortex action that forces the sediment to the outside and into the bottom sump for removal. The air is released upward to the air release valve giving the dual capabilities of a dirt and air separator.

Features:

- Constructed in accordance with ASME Section VIII, Division I, Latest Edition
- Carbon Steel Construction
- Design Pressure: 125 PSI
- Max Design Temperature: 350°
- Removes Sediment and Entrained Air
- Tangential Design
- Higher Pressures Available thru 300 PSI
- Larger Sizes Available



All packaging materials, thread protectors, plastic plugs and caps must be removed before installation.

Dimensions are subject to change without notice, please confirm actual dimensions with factory at time of order.

PART NUMBER	SIZE	DIAMETER A (IN.)	HEIGHT B (IN.)	FLANGE TO BASE C (IN.)	FLANGE TO FLANGE D (IN.)	FLANGE CTR TO TOP E (IN.)	FLANGE CTR TO CTR LINE F (IN.)	NPT CONNECTION
SRS-03	3"	12	22	8	19 3/4	8	3 3/4	1"
SRS-04	4"	14	32	12 1/8	21 3/4	10 3/4	4 1/4	1 1/2"
SRS-05	5"	14	32	12 1/8	21 3/4	10 3/4	3 3/4	1 1/2"
SRS-06	6"	20	45	17 3/4	28	14 1/2	6 1/4	1 1/2"
SRS-08	8"	20	45	17 3/4	28	14 1/2	5 3/16	1 1/2"
SRS-10	10"	30	63	22 3/4	41	20	9 1/8	2"
SRS-12	12"	30	63	22 3/4	41	20	8 1/8	2"

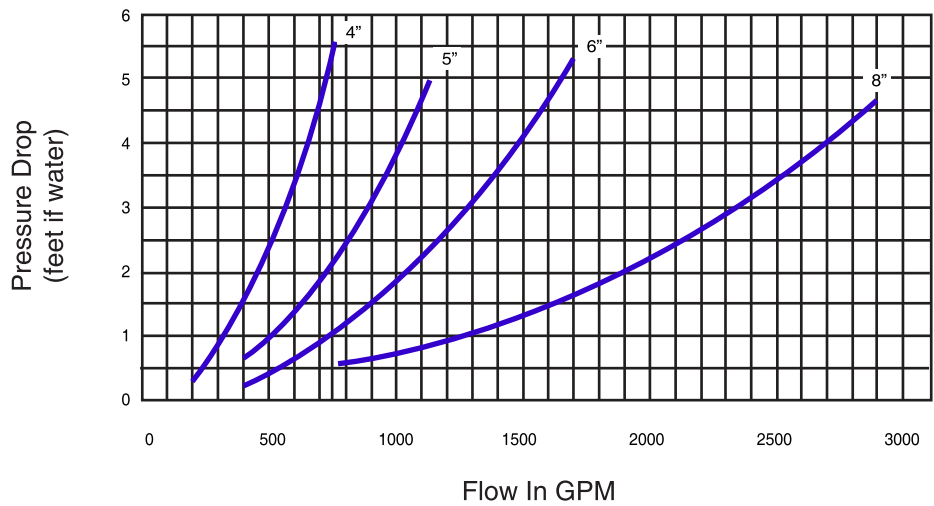
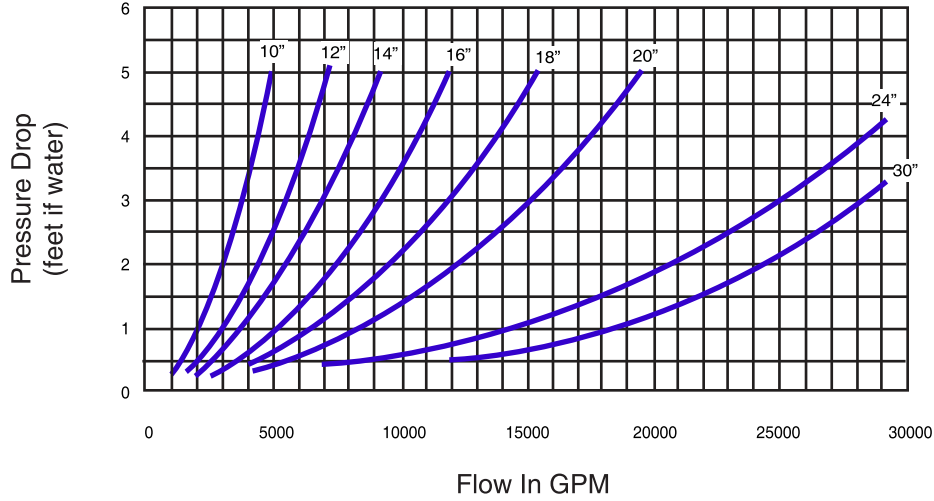
JOB NAME _____
 LOCATION _____

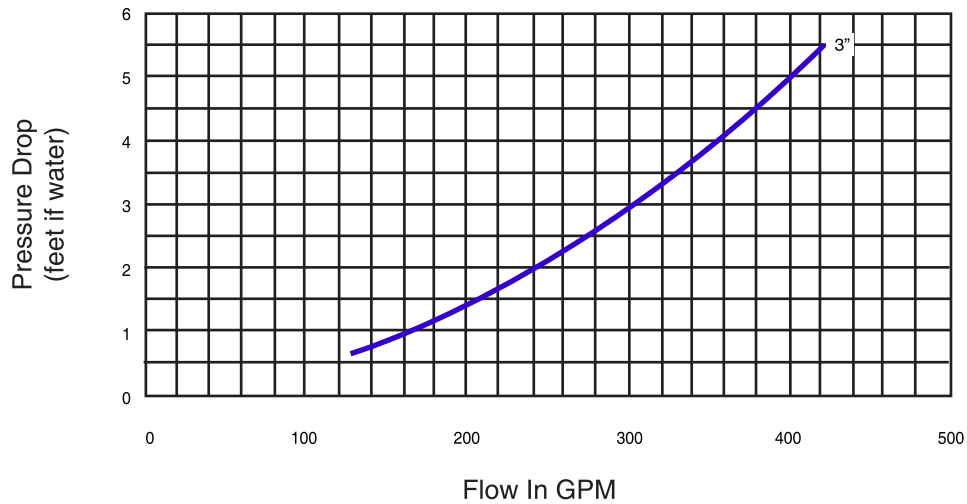
 CONTRACTOR _____
 CONTRACTOR P.O. NO. _____

ITEMS	QUANTITY
_____	_____
_____	_____
_____	_____
_____	_____
_____	_____
_____	_____

American WHEATLEY
HVAC PRODUCTS®
A GFP COMPANY

2701 W. Concord Street
 Broken Arrow, OK 74012
 Toll Free: 866-204-5229
 PH: 918-317-0401
 FAX: 918-317-0407
 www.wheatleyhvac.com
 e-mail: sales@globalflowproducts.com





Elimination Efficiency of air and Sediment

