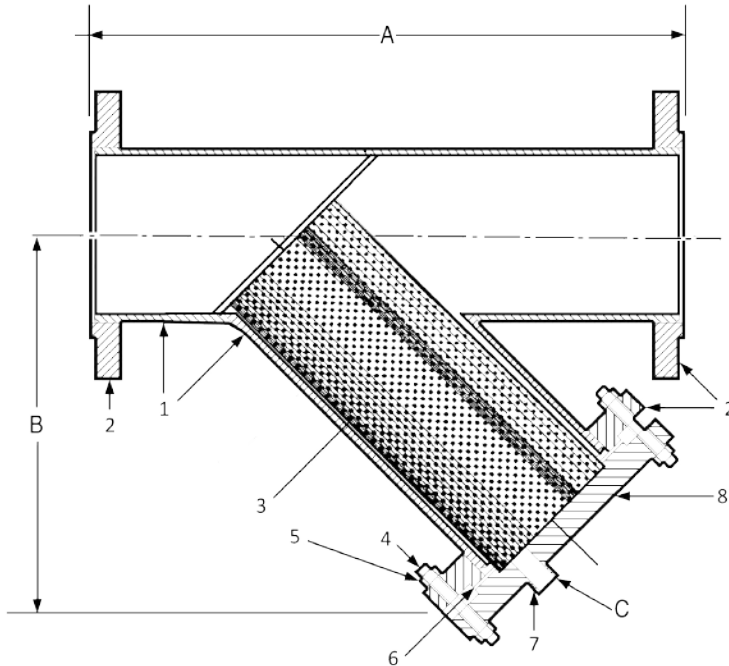


Fabricated Y-Type Flanged Strainer

Model YFF (150 lb)



Dimensional Data (In Inches)

Model	Size	A	B	C	Weight (lbs)
YF0400F	4	16	12	1	105
YF0500F	5	19	14	1	142
YF0600F	6	22	16	1	174
YF0800F	8	26	19	1½	246
YF1000F	10	30	24	1½	386
YF1200F	12	35	26	1½	548
YF1400F	14	39	30	2	792
YF1600F	16	45	34	2	990
YF1800F	18	46	34	2	1125
YF2000F	20	52	38	2	1410
YF2400F	24	60	44	2	2025
YF3000F	30	72	50	2	2980

Operating Pressure & Temperature

Nom. Rating	4" to 30"
150#RFSO	285 PSI @ 100°F

Optional Features:

- Stainless Steel Construction
- Pressures ANSI 300 to 2500
- Screen Materials available in various perforation sizes and materials of construction
- ASME Code Construction

Bill of Materials

Item	Part Name	Material
1	Body	Carbon Steel Pipe/Plate
2	150lb RFSO Flange	Carbon Steel
3	Screen	304 Stainless Steel 1/8" perf
4	Studs	Carbon Steel ASTM
5	Nut	Carbon Steel ASTM
6	Gasket	Graphite
7	NPT Half Coupling	Carbon Steel
8	150lb Blind Flange	Carbon Steel

All sizes come complete with flanged blow off cover, gasket and plug.

Dimensions are subject to change without notice, please confirm actual dimensions with factory at time of order.

JOB NAME _____
 LOCATION _____

 CONTRACTOR _____
 CONTRACTOR P.O. NO. _____

ITEMS	QUANTITY
_____	_____
_____	_____
_____	_____
_____	_____
_____	_____
_____	_____