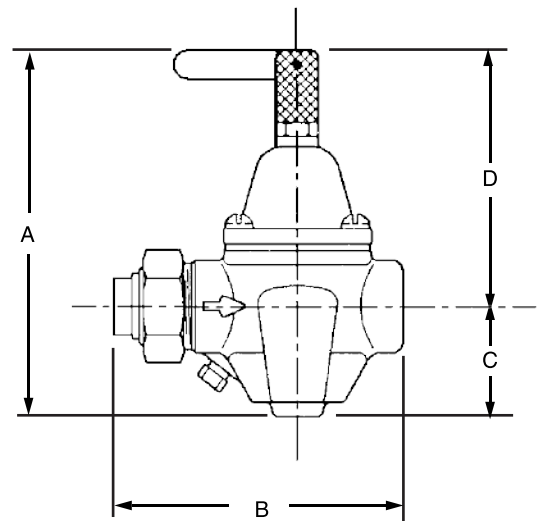
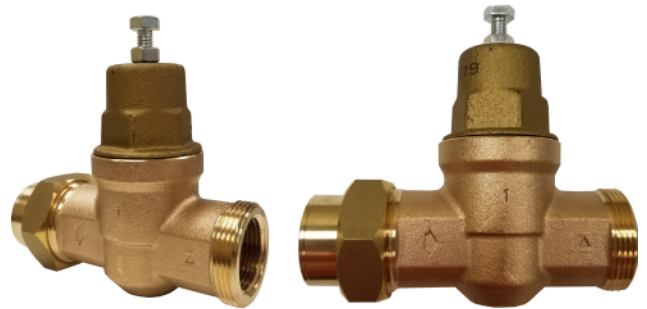


Water Pressure Reducing Valve

Features:

- Reduces city water pressure to desired system pressure
- Automatically feeds water when pressure in a system drops below the setting of the valve
- Bronze or brass construction
- Easily and quickly serviced without removing valve from line
- Integral strainer
- Adjustable pressure range of 10-70 psig; factory set at 45 psig
- Maximum working pressure of 400 psig
- Maximum Temperature 180° F




Optional Features:

- Larger sizes available

| PART NUMBER | NPT SIZE | HEIGHT A (IN.) | WIDTH B (IN.) | CTR LINE 2 BTM C (IN.) | TOP LINE 2 CTR D (IN.) | WEIGHT (LBS.) |
|-------------|----------|----------------|---------------|------------------------|------------------------|---------------|
| WPR-050 | 1/2" | 5 2/5" | 4 5/16" | 1 3/64" | 4 11/32" | 2.5 |
| WPR-075 | 3/4" | 5 2/5" | 4 15/32" | 1 3/64" | 4 11/32" | 2.5 |
| WPR-100 | 1" | 5 2/5" | 5 11/64" | 1 3/64" | 4 11/32" | 2.5 |

All packaging materials, thread protectors, plastic plugs and caps must be removed before installation.

Dimensions are subject to change without notice, please confirm actual dimensions with factory at time of order.

| JOB NAME _____ LOCATION _____ _____ _____ CONTRACTOR _____ CONTRACTOR P.O. NO. _____ | <table border="1" style="width: 100%;"> <thead> <tr> <th style="width: 50%;">ITEMS</th> <th style="width: 50%;">QUANTITY</th> </tr> </thead> <tbody> <tr><td> </td><td> </td></tr> <tr><td> </td><td> </td></tr> <tr><td> </td><td> </td></tr> <tr><td> </td><td> </td></tr> <tr><td> </td><td> </td></tr> <tr><td> </td><td> </td></tr> </tbody> </table> | ITEMS | QUANTITY | | | | | | | | | | | | |  <p>A GFP COMPANY</p> 2701 W. Concord Street Broken Arrow, OK 74012 Toll Free: 866-204-5229 PH: 918-317-0401 FAX: 918-317-0407 www.wheatleyhvac.com e-mail: sales@globalflowproducts.com |
|---|--|-------|----------|--|--|--|--|--|--|--|--|--|--|--|--|--|
| ITEMS | QUANTITY | | | | | | | | | | | | | | | |
| | | | | | | | | | | | | | | | | |
| | | | | | | | | | | | | | | | | |
| | | | | | | | | | | | | | | | | |
| | | | | | | | | | | | | | | | | |
| | | | | | | | | | | | | | | | | |
| | | | | | | | | | | | | | | | | |