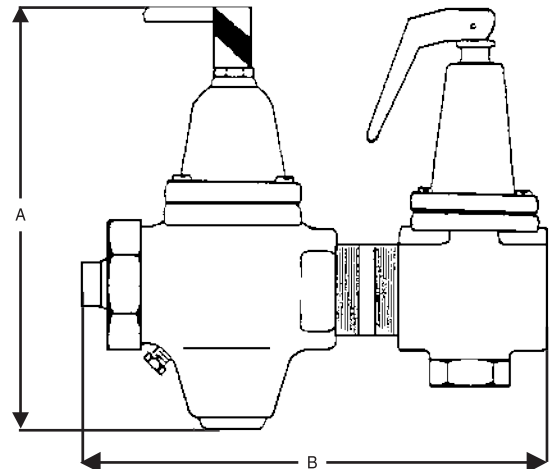


Dual Control Valve

Features:

- Cast Iron construction
- Combination relief and pressure reducing valve
- Adjustable pressure range 10-25 psig
- Preset pressure 12 psig
- Maximum operating pressure of 30 psig for relief valve and 100 psig for reducing valve
- Maximum Temperature 212°F
- NPT or Sweat connections



PART NUMBER	NPT SIZE (IN.)	HEIGHT A (IN.)	WIDTH B (IN.)	WEIGHT (LBS.)
DC0050	1/2"	5 5/16"	6 13/16"	3.3
DC0050S	1/2"	5 5/16"	6 13/16"	3.3

All packaging materials, thread protectors, plastic plugs and caps must be removed before installation.
 Dimensions are subject to change without notice, please confirm actual dimensions with factory at time of order.

JOB NAME _____ LOCATION _____ _____ _____ CONTRACTOR _____ CONTRACTOR P.O. NO. _____	<table border="1" style="width: 100%; border-collapse: collapse;"> <thead> <tr> <th style="width: 50%;">ITEMS</th> <th style="width: 50%;">QUANTITY</th> </tr> </thead> <tbody> <tr><td> </td><td> </td></tr> <tr><td> </td><td> </td></tr> <tr><td> </td><td> </td></tr> <tr><td> </td><td> </td></tr> <tr><td> </td><td> </td></tr> <tr><td> </td><td> </td></tr> </tbody> </table>	ITEMS	QUANTITY													<p>American WHEATLEY HVAC PRODUCTS® A GFP COMPANY</p> <p>2701 W. Concord Street Broken Arrow, OK 74012 Toll Free: 866-204-5229 PH: 918-317-0401 FAX: 918-317-0407 www.wheatleyhvac.com e-mail: sales@globalflowproducts.com</p>
ITEMS	QUANTITY															