

Brass Ball Valve

Features:

- Full Port
- Forged Brass
- Two Piece Body
- Blow-out Proof Stem
- Chrome Plated Solid Brass Ball
- Threaded Ends comply per ANSI B1.20.1
- Conforms to MSS-SP-110
- 1/4" - 4" Rated 600 psi non-stock CWP -150 psi SWP
- CSA Gas approved 2" (IPS only)
- Steam, water, oil, gas and air applications for commercial and light industrial application

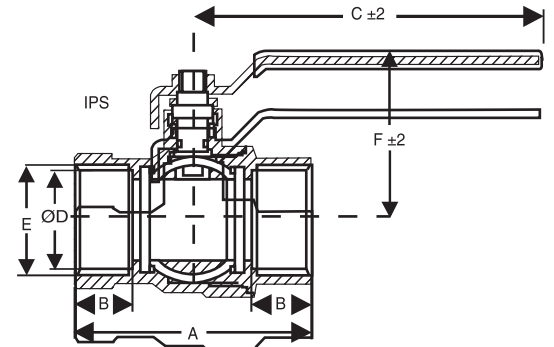


Optional Features:

- Lead Free

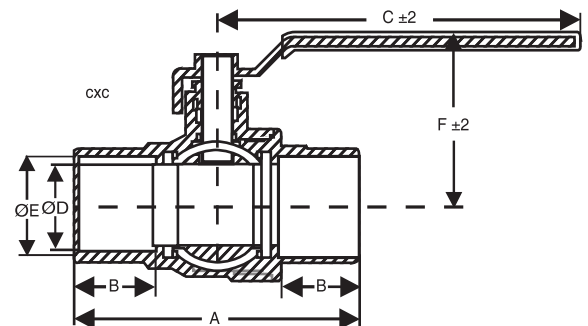
IPS Dimensions - Sizes 1/4" - 1 1/2"

| MODEL | SIZE | A | B | C | D | E | F |
|---------|--------|------|------|------|--------|----------|------|
| 759T001 | 1/4" | 1.73 | 0.45 | 3.07 | Ø 0.39 | 18 NPT | 1.44 |
| 759T002 | 3/8" | 1.73 | 0.45 | 3.07 | Ø 0.39 | 18 NPT | 1.44 |
| 759T003 | 1/2" | 2.05 | 0.55 | 3.07 | Ø 0.51 | 14 NPT | 1.54 |
| 759T004 | 3/4" | 2.30 | 0.57 | 4.14 | Ø 0.71 | 14 NPT | 1.78 |
| 759T005 | 1" | 2.80 | 0.69 | 4.14 | Ø 0.95 | 11.5 NPT | 1.96 |
| 759T006 | 1 1/4" | 3.15 | 0.69 | 4.93 | Ø 1.20 | 11.5 NPT | 2.49 |
| 7495007 | 1 1/2" | 3.51 | 0.71 | 4.93 | Ø 1.46 | 11.5 NPT | 2.67 |



CXC Dimensions - Sizes 1/4" - 1 1/2"

| MODEL | SIZE | A | B | C | D | E | F |
|---------|--------|------|------|------|--------|--------|------|
| 759C003 | 1/2" | 1.97 | 0.49 | 3.07 | Ø 0.51 | Ø 0.63 | 1.54 |
| 759C004 | 3/4" | 2.71 | 0.75 | 4.14 | Ø 0.71 | Ø 0.88 | 1.78 |
| 759C005 | 1" | 3.25 | 0.91 | 4.14 | Ø 0.95 | Ø 1.13 | 1.96 |
| 759C006 | 1 1/4" | 3.62 | 0.93 | 4.93 | Ø 1.20 | Ø 1.38 | 2.49 |
| 759C007 | 1 1/2" | 4.29 | 1.10 | 4.93 | Ø 1.46 | Ø 1.63 | 2.67 |



All packaging materials, thread protectors, plastic plugs and caps must be removed before installation.

Dimensions are subject to change without notice, please confirm actual dimensions with factory at time of order.

| |
|---------------------------|
| JOB NAME _____ |
| LOCATION _____ |
| _____ |
| CONTRACTOR _____ |
| CONTRACTOR P.O. NO. _____ |

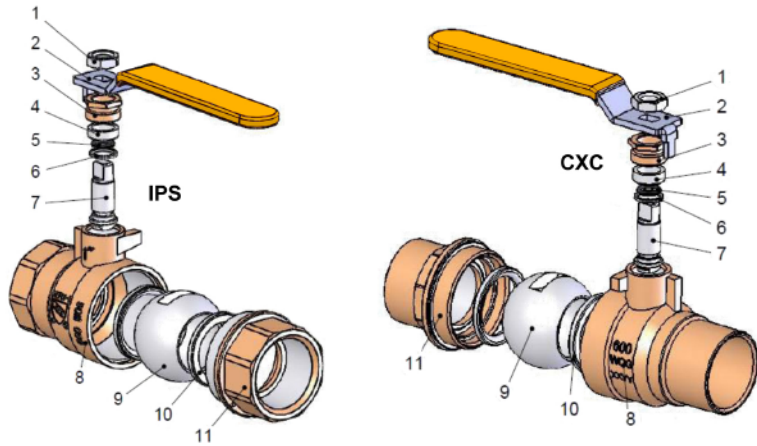
| ITEMS | QUANTITY |
|-------|----------|
| _____ | _____ |
| _____ | _____ |
| _____ | _____ |
| _____ | _____ |



2701 W. Concord Street
 Broken Arrow, OK 74012
 Toll Free: 866-204-5229
 PH: 918-317-0401
 FAX: 918-317-0407
 www.wheatleyhvac.com
 e-mail: sales@globalflowproducts.com

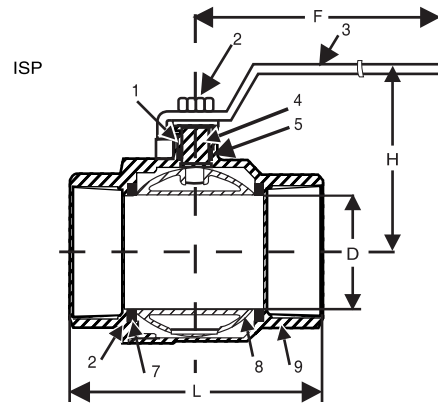
Bill of Materials - Sizes 1/2" - 1 1/2"

| Number | Part Name | Material |
|--------|--------------|--------------|
| 1 | Hex Nut | Steel |
| 2 | Handle | Steel |
| 3 | Packing Nut | Brass |
| 4 | Pacing Gland | PTFE |
| 5 | O'Ring | EPDM |
| 6 | Washer | PTFE |
| 7 | Stem | Brass C3600 |
| 8 | Bonnet | Brass C37700 |
| 9 | Ball | Brass |
| 10 | Seat | PTFE |
| 11 | Body | Brass C37700 |



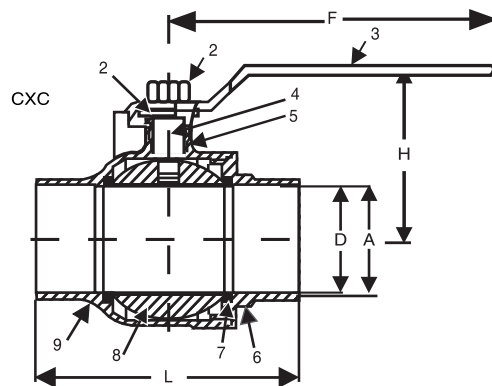
IPS Dimensions - Sizes 2" - 4"

| MODEL | SIZE | L | D | H | F |
|---------|--------|------|--------|------|------|
| 759T008 | 2" | 4.41 | Ø 1.97 | 3.27 | 5.52 |
| 759T009 | 2 1/2" | 5.99 | Ø 2.56 | 4.59 | 9.06 |
| 759T010 | 3" | 6.50 | Ø 2.96 | 4.87 | 9.06 |
| 759T011 | 4" | 7.76 | Ø 3.90 | 5.57 | 10.1 |



CXC Dimensions - Sizes 2" - 4"

| MODEL | SIZE | L | D | A | H | F |
|--------|--------|------|--------|--------|------|------|
| 759C08 | 2" | 5.34 | Ø 1.97 | Ø 2.13 | 3.27 | 5.52 |
| 759C09 | 2 1/2" | 6.38 | Ø 2.56 | Ø 2.63 | 4.24 | 7.92 |
| 759C10 | 3" | 7.17 | Ø 2.96 | Ø 3.13 | 5.04 | 9.89 |
| 759C11 | 4" | 9.22 | Ø 3.90 | Ø 4.13 | 5.71 | 9.89 |



Bill of Materials - Sizes 2" - 4"

| Number | Part Name | Material |
|--------|--------------|------------|
| 1 | Gland Nut | Brass |
| 2 | Hex Nut | Steel |
| 3 | Handle | Steel |
| 4 | Stem | Brass |
| 5 | Stem Packing | PTFE |
| 6 | End Cap | Brass |
| 7 | Seat | PTFE |
| 8 | Ball | C.P. Brass |
| 9 | Body | Brass |

All packaging materials, thread protectors, plastic plugs and caps must be removed before installation. Dimensions are subject to change without notice, please confirm actual dimensions with factory at time of order.